

# MONROE COUNTY WATER AUTHORITY ROCHESTER, NEW YORK

# COLONNADE DRIVE AND GLENN IRIS DRIVE WATER MAIN REPLACEMENTS

## TOWN OF HENRIETTA

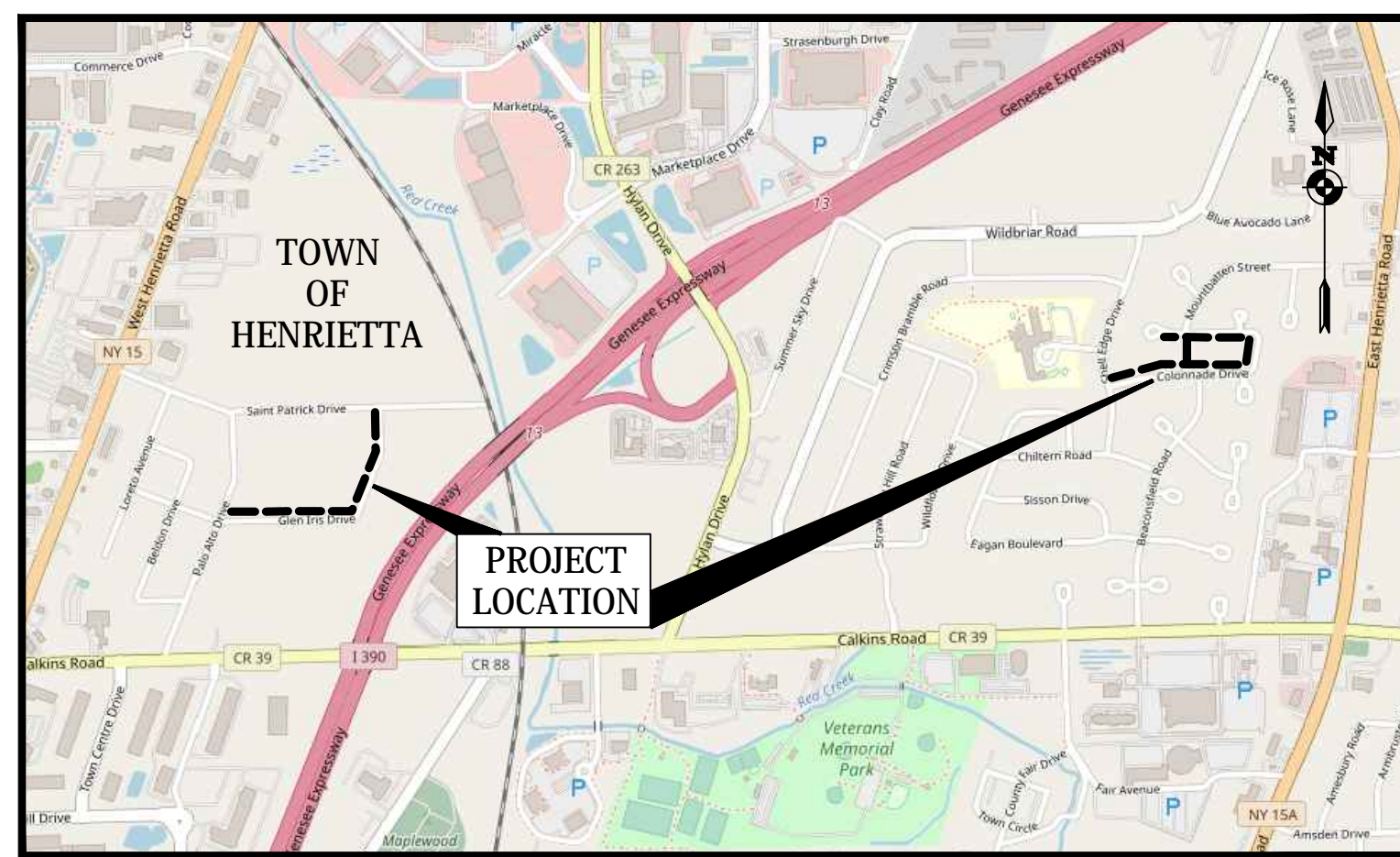
AUTHORIZATION NO. 133-100

ENGINEERING NO. 22-024

### MEMBERS OF THE AUTHORITY

- |                    |                    |
|--------------------|--------------------|
| SCOTT D. NASCA     | CHAIRMAN           |
| MATTHEW J. FERRO   | VICE CHAIRMAN      |
| JOSEPH R. RULISON  | TREASURER          |
| ALLEN S. BERNSTEIN | MEMBER             |
| SHERYAL A. VOLPE   | MEMBER             |
| MARCIA VAN VECHTEN | MEMBER             |
| SHEILA R. MASON    | MEMBER             |
| NICHOLAS NOCE      | EXECUTIVE DIRECTOR |

LOCATION MAP



NOT TO SCALE

INDEX	
SHEET	CONTENTS
0	TITLE
1	LEGEND AND TRAFFIC CONTROL
2	COLONNADE DRIVE
3	COLONNADE DRIVE
4	COLONNADE DRIVE
5	COLONNADE DRIVE
6	GLEN IRIS DRIVE & PALO ALTO DRIVE
7	GLEN IRIS DRIVE
8	GLEN IRIS DRIVE
9	DETAILS
10	DETAILS
11	DETAILS
12	M&PT DETAILS
13	PROFILES



MONROE COUNTY WATER AUTHORITY  
PROGRESS SET/NOT FOR CONSTRUCTION  
DATE: 10/20/23

**LEGEND**

STND 03/22

	WATER MAIN/PERPENDICULAR AND PARALLEL HYDRANTS/ REDUCER/BLOW-OFF/METER/SOLID SLEEVE/PLUG OR CAP VALVE/BUTTERFLY VALVE/VALVE w/BYPASS/HORIZONTAL GATE VALVE/CLOSED VALVE/AIR RELEASE VALVE
	UNDERGROUND CABLE TV/MANHOLE/PEDESTAL
	UNDERGROUND ELECTRIC/MANHOLE/METER
	UNDERGROUND FIBER OPTIC/HANDHOLE/SPLICE BOX/MANHOLE
	GAS MAIN/GAS VALVE/REDUCER/HIGH PRESSURE/TRACER WIRE TRACER WIRE HAND HOLE
	UNDERGROUND TELEPHONE/MANHOLE/PEDESTAL
	UNDERGROUND TRAFFIC CONTROL/MANHOLE/HANDHOLES
	SANITARY SEWER/MANHOLE/FORCE MAIN MHINV CALCULATED FROM RIM OF MH
	STORM SEWER/MANHOLE/CATCH BASIN MHINV & CBINV CALCULATED FROM RIM OF MH OR CB
	PROPOSED WATER MAIN
	CENTER LINE
	EASEMENT LINE
	RIGHT-OF-WAY/PROPERTY LINE
	TOWN/VILLAGE/CITY/COUNTY LINE
	EDGE OF PAVEMENT/CONCRETE DRIVEWAY/ MAC DRIVEWAY/PAVED PARKING LOTS
	EDGE OF STONE SHOULDER/STONE DRIVEWAY/ STONE PARKING LOTS
	FENCE
	WATER CENTERLINE/CREEK/DITCH/STREAM/w/FLOW ARROW
	TOP OF SLOPE
	TOE OF SLOPE
	EXISTING CONTOUR
	PROPOSED CONTOUR MINOR
	PROPOSED CONTOUR MAJOR
	DRAINAGE STRUCTURE INLET PROTECTION/ TEMPORARY FENCING/SILT FENCE
	CURB/GUTTER/RETAINING WALL
	CONC/MAC SIDEWALK
	STONE/GRAVEL SIDEWALK
	GUIDE RAIL
	RAILROAD
	CULVERT PIPE DWINV & RDINV CALCULATED FROM CL OF DRIVEWAY OR ROAD
	BOX CULVERT DWINV & RDINV CALCULATED FROM CL OF DRIVEWAY OR ROAD
	CULVERT w/HEADWALLS HDINV CALCULATED FROM TOP OF HEADWALL
	CASING PIPE
	TREE LINE/EDGE OF BRUSH
	HEDGE ROW

	UTILITY POWER POLE
	UTILITY POWER POLE w/GUY WIRE
	UTILITY LIGHT POLE
	METAL TRAFFIC CONTROL POLES
	TRAFFIC CONTROL PEDESTRIAN POLE
	LAMP POST
	POSTS
	BOLLARD
	FLAG POLE/BASKETBALL HOOP POST
	ROAD SIGN
	SIGN w/2 POSTS
	MAILBOX
	FOUND IRON PIN
	ROW MONUMENTS
	GEODETIC SURVEY MONUMENT
	BENCHMARK
	CATCH BASIN w/LEAD
	CURB BOX
	TEST BORE w/NUMBER
	TEST PIT w/NUMBER
	UTILITY VERIFICATION EXCAVATION w/NUMBER
	HOUSE/STRUCTURE WITHIN SURVEY LIMITS
	HOUSE/STRUCTURE OUTSIDE SURVEY LIMITS
	BUSH
	CONIFEROUS TREE
	DECIDUOUS TREE
	BOULDER
	RIP RAP/CHECK DAM
	SWAMP
	SPOT ELEVATION
	"ROAD WORK AHEAD" SIGN
	"END ROAD WORK" SIGN
	VALVE NOT SURVEYED

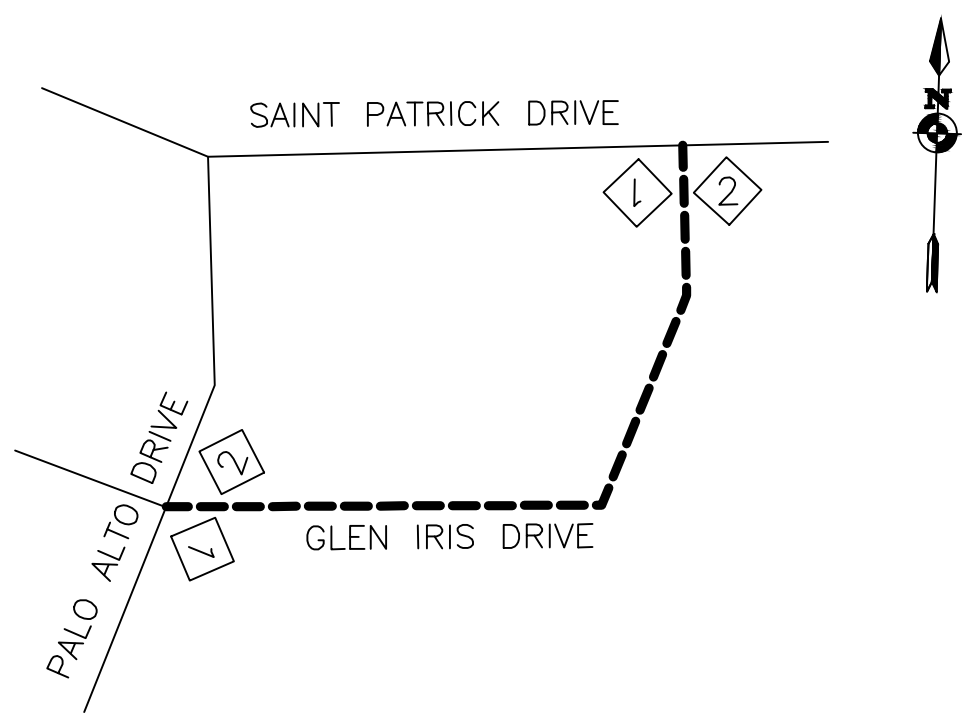
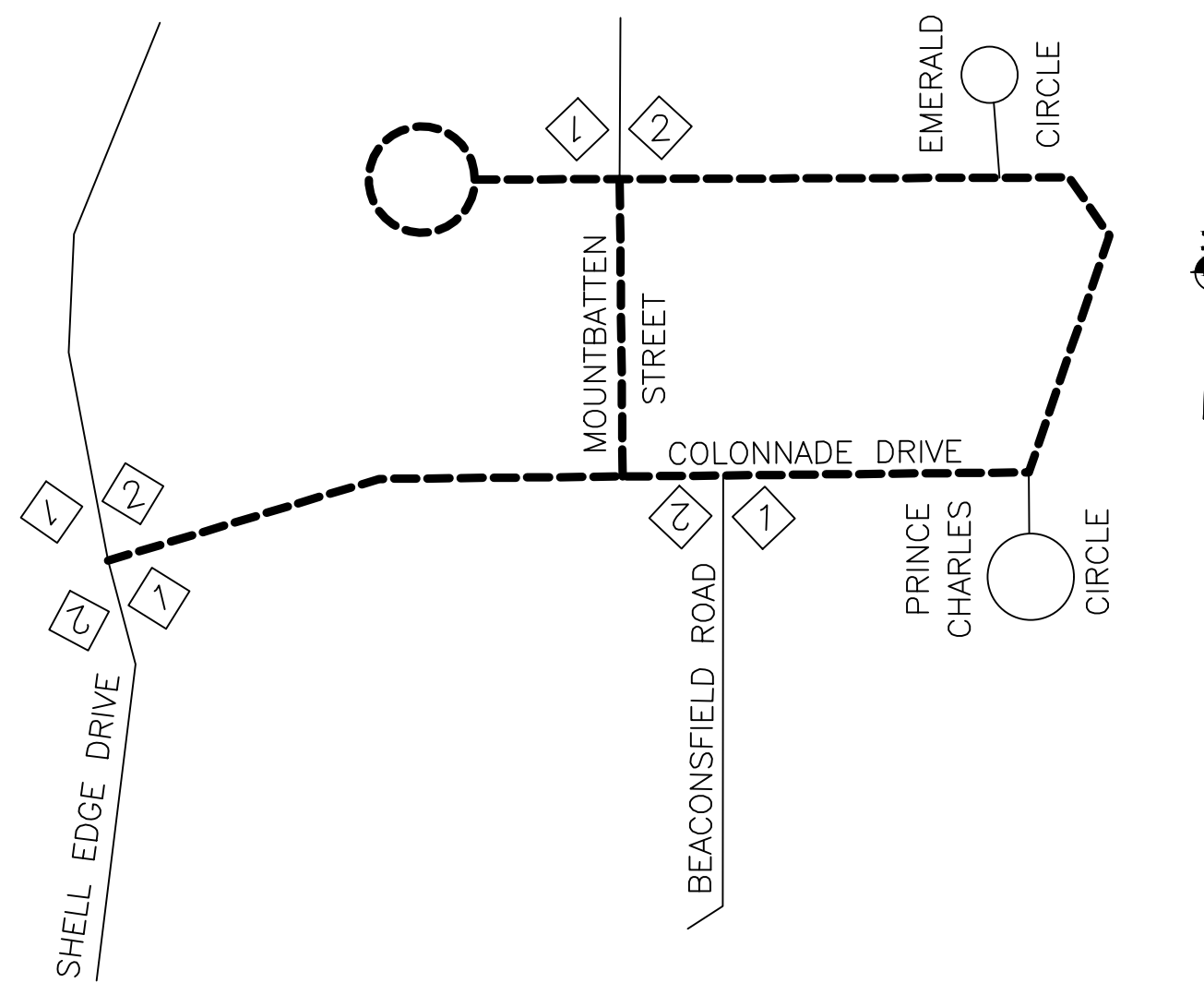
**TRAFFIC CONTROL LEGEND**

STND 04/22

	REFLECTORIZED TRAFFIC CONES (30' MAXIMUM SPACING)
	TRAFFIC DRUMS (30' MAXIMUM SPACING)
	SIGN SUPPORTS
	"ROAD WORK AHEAD" SIGN
	"END ROAD WORK" SIGN
	PROJECT LIMITS
	WORK AREA
	BARRICADE
	FLASHING WARNING LIGHT

**ALL SIGNS SHALL BE:**

1. INSTALLED A MINIMUM OF 7' HIGH (ROAD SURFACE TO BOTTOM OF SIGN) IN BUSINESS, COMMERCIAL OR RESIDENTIAL AREAS OR A MINIMUM OF 5' HIGH (ROAD SURFACE TO BOTTOM OF SIGN) IN RURAL AREAS.
2. VISIBLE ON MONROE COUNTY ROADS ONLY WHILE WORK IS OCCURRING IN RIGHT-OF-WAY.
3. ALL TRAFFIC CONTROL DEVICES SHALL CONFORM TO THE "NATIONAL MANUAL OF UNIFORM TRAFFIC CONTROL DEVICES AND NYSDOT SUPPLEMENT"
4. IF ANY SIGNS IN THE MCDOT RIGHT-OF-WAY WILL BE IMPACTED, THE CONTRACTOR SHALL CONTACT MCDOT AT 585-753-7723.
5. IF ANY SIGNS NEED TO BE REMOVED DURING CONSTRUCTION, THEY MUST BE PLACED ON TEMPORARY BASES UNTIL RE-INSTALLED.



**TRAFFIC CONTROL FOR DURATION OF PROJECT**

NOT TO SCALE

MONROE COUNTY DEPARTMENT OF HEALTH  
STANDARD WATER MAIN INSTALLATION NOTES  
STND 4/22

1. THE WATER MAIN SHALL BE DISINFECTED EQUAL TO AWWA STANDARD FOR DISINFECTING WATER MAINS DESIGNATION C651 (LATEST REVISION). FOLLOWING DISINFECTION, THE WATER MAIN SHALL BE FLUSHED UNTIL THE CHLORINE CONCENTRATION IN THE WATER LEAVING THE MAIN IS NO HIGHER THAN THAT GENERALLY PREVAILING IN THE SYSTEM.

ALL WATER MAIN AND FITTINGS NOT RECEIVING 24-HOUR CHLORINE DISINFECTION CONTACT TIME MUST BE SWAB-DISINFECTED 30 MINUTES PRIOR TO INSTALLATION.

SAMPLING POINT(S) MUST BE DECONTAMINATED BY FLAMING.

FIRE HYDRANTS ARE NOT ACCEPTABLE SAMPLING POINTS.

THE MONROE COUNTY DEPARTMENT OF PUBLIC HEALTH MUST RECEIVE AT LEAST 48-HOUR ADVANCE NOTIFICATION REQUESTING SAMPLING SERVICES. SAMPLING WILL NOT BE PERFORMED PRIOR TO RECEIPT FROM A NEW YORK STATE LICENSED OR REGISTERED DESIGN PROFESSIONAL (ENGINEER, ARCHITECT OR LAND SURVEYOR WITH A SPECIAL EXEMPTION UNDER SECTION 7208(N) OF THE EDUCATION LAW) CERTIFYING THAT THE WATER SUPPLY IMPROVEMENTS, TESTING AND DISINFECTION PROCEDURES WERE COMPLETED IN ACCORDANCE WITH THE APPROVED PLANS, REPORTS, SPECIFICATIONS AND ANY APPROVED AMENDMENTS. THE DEPARTMENT WILL COLLECT SAMPLES FOR FREE CHLORINE RESIDUAL, TOTAL COLIFORM, ESCHERICHIA COLI (E. COLI) AND TURBIDITY.

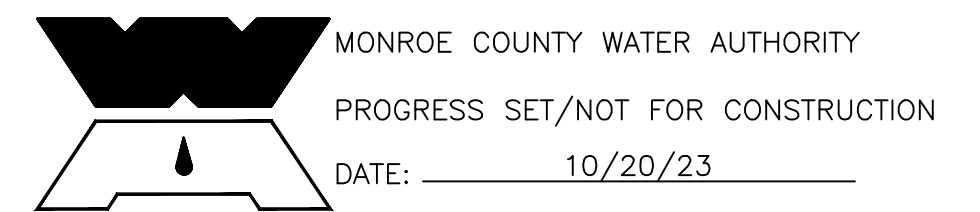
THE WATER MAIN SHALL NOT BE PLACED INTO SERVICE UNTIL SO AUTHORIZED BY THE MONROE COUNTY DEPARTMENT OF PUBLIC HEALTH.

2. MINIMUM VERTICAL SEPARATION BETWEEN WATER MAINS AND SEWER PIPELINES SHALL BE 18 INCHES MEASURED FROM THE OUTSIDE OF THE PIPES AT THE POINT OF CROSSING. ONE FULL STANDARD LAYING LENGTH OF WATER MAIN SHALL BE CENTERED UNDER OR OVER THE SEWER SO THAT BOTH JOINTS WILL BE AS FAR FROM THE SEWER AS POSSIBLE. IN ADDITION, WHEN THE WATER MAIN PASSES UNDER A SEWER, ADEQUATE STRUCTURAL SUPPORT (COMPACTED SELECT FILL) SHALL BE PROVIDED FOR THE SEWER TO PREVENT EXCESSIVE DEFLECTION OF JOINTS AND THE SETTLING OF THE SEWER ON THE WATER MAIN. MINIMUM HORIZONTAL SEPARATION BETWEEN PARALLEL WATER MAINS AND SEWER PIPES (INCLUDING MANHOLES AND VAULTS) SHALL BE 10 FEET MEASURED FROM THE OUTSIDE OF THE PIPES, MANHOLES OR VAULTS.

3. WHEN INSTALLING FIRE HYDRANTS, SHOULD GROUNDWATER BE ENCOUNTERED WITHIN 7 FEET OF THE FINISHED GRADE, FIRE HYDRANT WEEP HOLES (DRAINS) SHALL BE PLUGGED.

4. THE WATER MAIN SHALL BE PRESSURE/LEAKAGE TESTED IN ACCORDANCE WITH THE MINIMUM REQUIREMENTS OF THE AWWA STANDARD C600 (LATEST REVISION) OR IN ACCORDANCE WITH MORE STRINGENT REQUIREMENTS IMPOSED BY THE SUPPLIER OF WATER.

5. ALL TIE-IN CONNECTIONS TO EXISTING WATER MAIN MUST BE COMPLETED WITHIN 4 HOURS OF DEPRESSURIZING EXISTING WATER MAIN.



S:\2022 PROJECTS\22-024 COLONNADE DR & GLEN IRIS DR\WM\SHETS\SH1 1.dwg

Approved _____
Checked _____
Designed _____
Drawn _____

It is a violation of Art. 145, Sect 7209 of the New York State Education Law for any person unless acting under the direction of a Licensed Professional Engineer to alter this drawing. If altered, such PE shall affix his seal, signature, the date, the notation "altered by", and a specific description of the alteration.

NO.	DATE	REVISIONS	INIT	CK'D



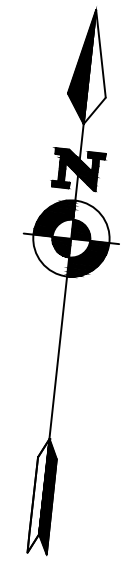
NOT TO SCALE

COLONNADE DRIVE AND GLEN IRIS DRIVE WATER MAIN REPLACEMENTS  
**LEGEND AND TRAFFIC CONTROL**  
TOWN OF HENRIETTA

DWG. NO. 2022-024.01	PHASE <b>F</b>
AUTH. NO. 133-100	
DATE: SEPTEMBER 2023	

SHEET 1 OF 13

S:\2022 PROJECTS\22-024 COLONNADE DR & GLEN IRIS DR\W\A\SHEETS\SHT 2--5.dwg




6" x 6" TAPPING SLEEVE, VALVE AND TAP  
ITEM NO. 7.0  
DISINFECTION/BLOW-OFF/SAMPLING TAP  
ITEM NO. 1.0  
BEGIN POLYETHYLENE ENCASUREMENT  
ITEM NO. 11.0

WATER MAIN ABANDONMENT  
\* SCHEDULE SHUT DOWN AFTER COMPLETING ALL TESTING AND SERVICE TRANSFERS  
\* CUT AND CAP EXISTING 6" CI WATER MAIN TO THE EAST FOR ABANDONMENT  
\* WORK CONTINUOUSLY UNTIL WATER MAIN IS BACK IN SERVICE  
ITEM NO. 24.0

VALVE BOX ABANDONMENT  
ITEM NO. 25.0  
6" x 45" MJ BEND  
ITEM NO. 2.3



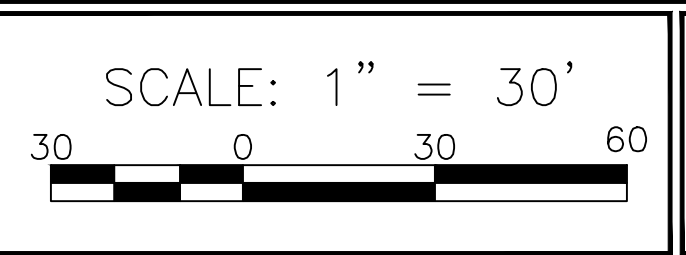
 MONROE COUNTY WATER AUTHORITY  
 PROGRESS SET/NOT FOR CONSTRUCTION  
 DATE: 10/20/23

Approved _____
Checked _____
Designed _____
Drawn _____

It is a violation of Art. 145, Sect 7209 of the New York State Education Law for any person unless acting under the direction of a Licensed Professional Engineer to alter this drawing. If altered, such PE shall affix his seal, signature, the date, the notation "altered by," and a specific description of the alteration.

NO.	DATE	REVISIONS	INIT	CK'D

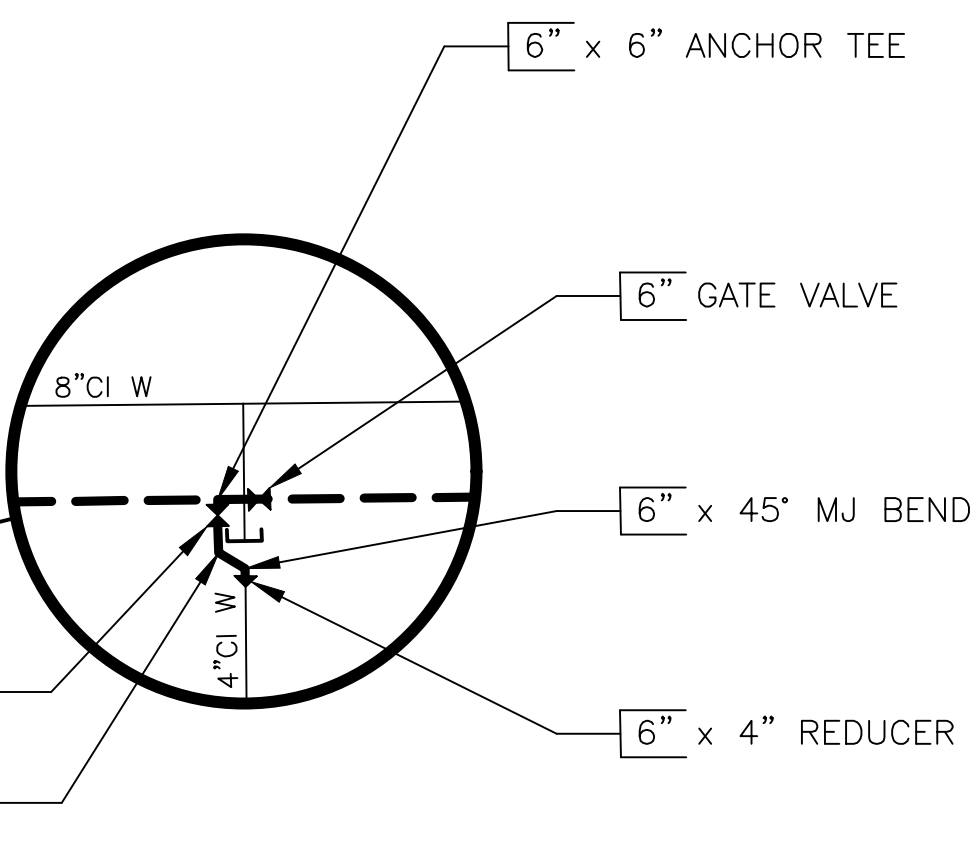
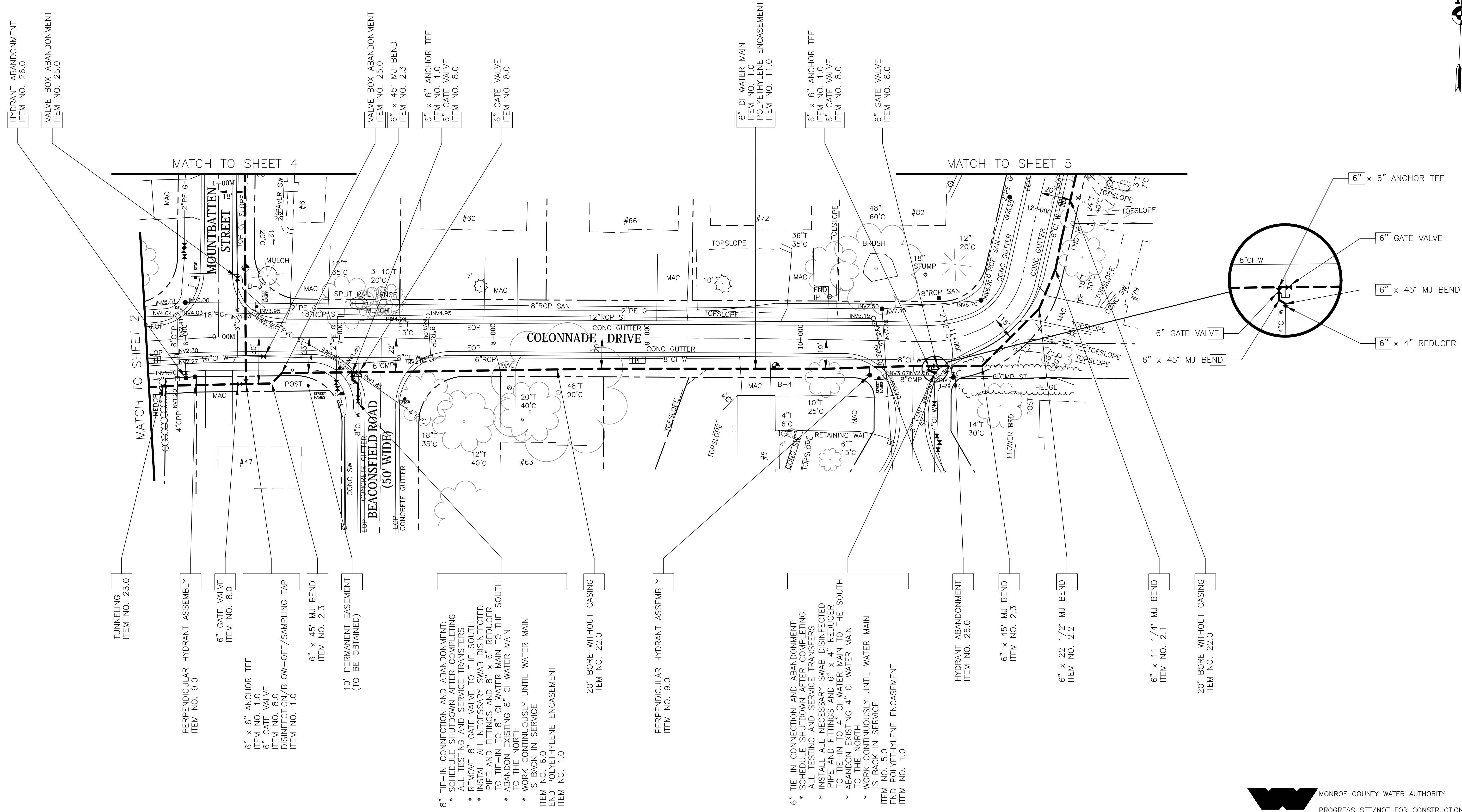
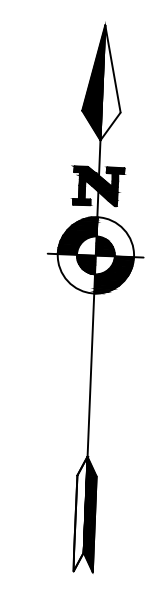
 MONROE COUNTY WATER AUTHORITY  
 ROCHESTER, NEW YORK




COLONNADE DRIVE AND GLENN IRIS DRIVE WATER MAIN REPLACEMENTS  
**COLONNADE DRIVE**  
 TOWN OF HENRIETTA

DWG. NO. 2022-024.02	PHASE <b>F</b>
AUTH. NO. 133-100	
DATE: SEPTEMBER 2023	

SHEET  
2  
OF  
13



- TUNNELING  
ITEM NO. 23.0
- PERPENDICULAR HYDRANT ASSEMBLY  
ITEM NO. 9.0
- 6" GATE VALVE  
ITEM NO. 8.0
- 6" x 6" ANCHOR TEE  
ITEM NO. 1.0
- 6" GATE VALVE  
ITEM NO. 8.0
- DISINFECTION/BLOW-OFF/SAMPLING TAP  
ITEM NO. 1.0
- 6" x 45" MJ BEND  
ITEM NO. 2.3
- 10' PERMANENT EASEMENT  
(TO BE OBTAINED)
- 8" TIE-IN CONNECTION AND ABANDONMENT:  
\* SCHEDULE SHUTDOWN AFTER COMPLETING ALL TESTING AND SERVICE TRANSFERS  
\* REMOVE 8" GATE VALVE TO THE SOUTH  
\* INSTALL ALL NECESSARY SWAB DISINFECTED PIPE AND FITTINGS AND 8" x 6" REDUCER TO TIE-IN TO 8" CI WATER MAIN TO THE SOUTH  
\* ABANDON EXISTING 8" CI WATER MAIN TO THE NORTH  
\* WORK CONTINUOUSLY UNTIL WATER MAIN IS BACK IN SERVICE  
ITEM NO. 6.0  
END POLYETHYLENE ENCASUREMENT  
ITEM NO. 1.0
- 20' BORE WITHOUT CASING  
ITEM NO. 22.0
- PERPENDICULAR HYDRANT ASSEMBLY  
ITEM NO. 9.0
- 6" TIE-IN CONNECTION AND ABANDONMENT:  
\* SCHEDULE SHUTDOWN AFTER COMPLETING ALL TESTING AND SERVICE TRANSFERS  
\* INSTALL ALL NECESSARY SWAB DISINFECTED PIPE AND FITTINGS AND 6" x 4" REDUCER TO TIE-IN TO 4" CI WATER MAIN TO THE SOUTH TO THE NORTH  
\* WORK CONTINUOUSLY UNTIL WATER MAIN IS BACK IN SERVICE  
ITEM NO. 5.0  
END POLYETHYLENE ENCASUREMENT  
ITEM NO. 1.0
- HYDRANT ABANDONMENT  
ITEM NO. 26.0
- 6" x 45" MJ BEND  
ITEM NO. 2.3
- 6" x 22 1/2" MJ BEND  
ITEM NO. 2.2
- 6" x 11 1/4" MJ BEND  
ITEM NO. 2.1
- 20' BORE WITHOUT CASING  
ITEM NO. 22.0
- HYDRANT ABANDONMENT  
ITEM NO. 26.0
- POLYETHYLENE ENCASUREMENT  
ITEM NO. 11.0
- 6" x 6" ANCHOR TEE  
ITEM NO. 1.0
- 6" GATE VALVE  
ITEM NO. 8.0
- 6" GATE VALVE  
ITEM NO. 8.0
- 6" GATE VALVE  
ITEM NO. 8.0
- 6" x 6" ANCHOR TEE  
ITEM NO. 1.0
- 6" x 45" MJ BEND  
ITEM NO. 2.3
- 6" x 4" REDUCER

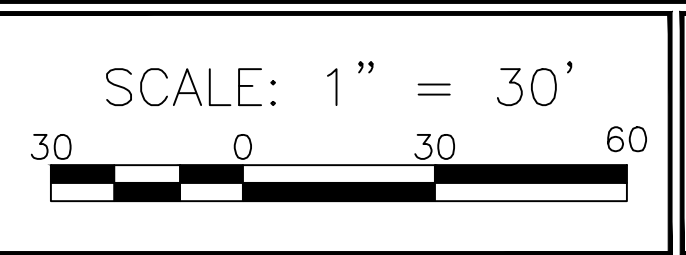
 MONROE COUNTY WATER AUTHORITY  
 PROGRESS SET/NOT FOR CONSTRUCTION  
 DATE: 10/20/23

Approved _____
Checked _____
Designed _____
Drawn _____

It is a violation of Art. 145, Sect 7209 of the New York State Education Law for any person unless acting under the direction of a Licensed Professional Engineer to alter this drawing. If altered, such PE shall affix his seal, signature, the date, the notation "altered by," and a specific description of the alteration.

NO.	DATE	REVISIONS	INIT	CK'D

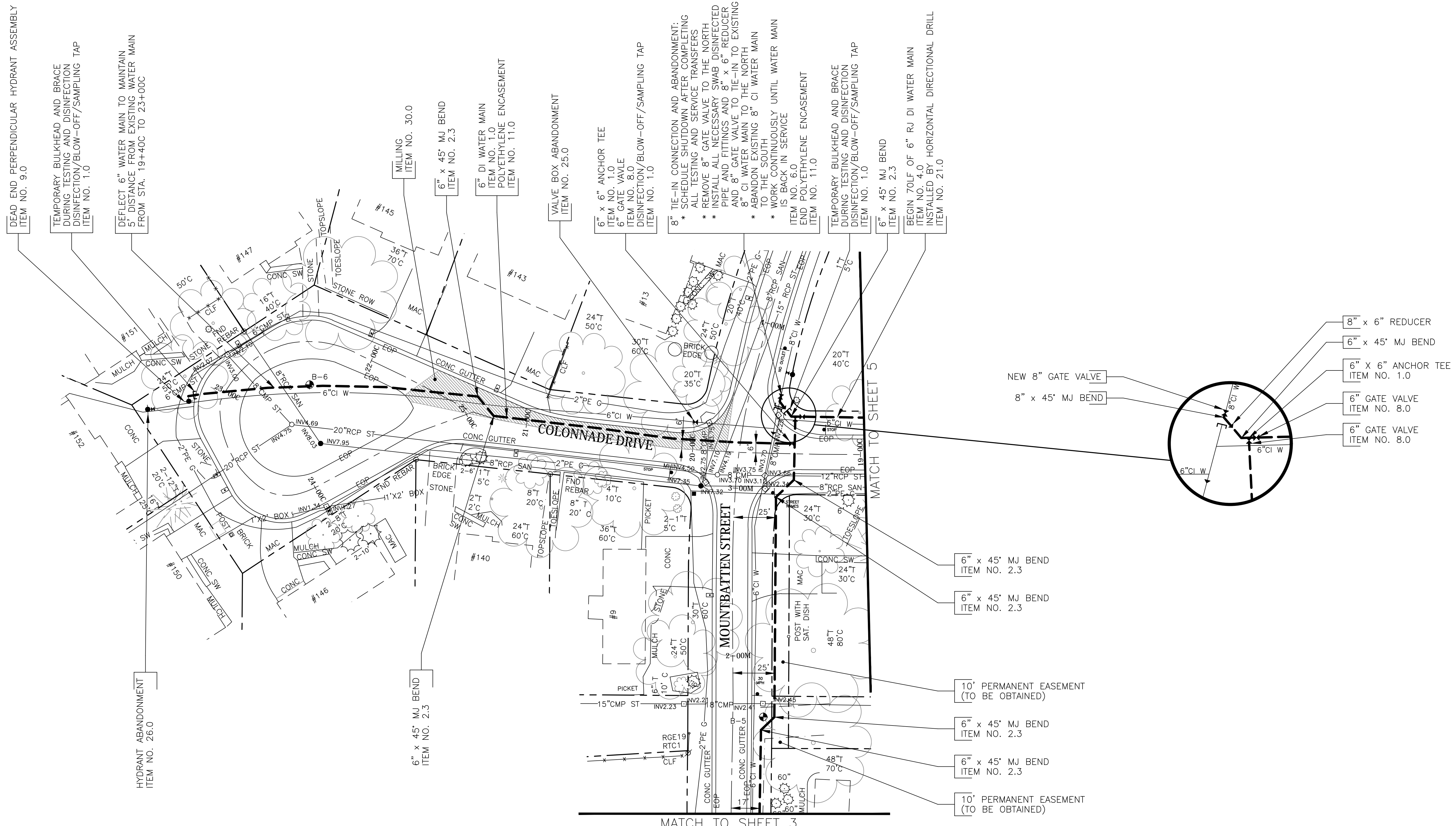
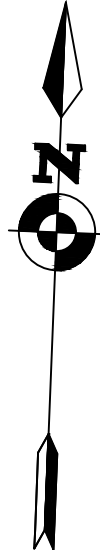
 MONROE COUNTY WATER AUTHORITY  
 ROCHESTER, NEW YORK



COLONNADE DRIVE AND GLENN IRIS DRIVE WATER MAIN REPLACEMENTS  
**COLONNADE DRIVE**  
 TOWN OF HENRIETTA

DWG. NO. 2022-024.03	PHASE <b>F</b>
AUTH. NO. 133-100	
DATE: SEPTEMBER 2023	

SHEET  
3  
OF  
13



MONROE COUNTY WATER AUTHORITY  
 PROGRESS SET/NOT FOR CONSTRUCTION  
 DATE: 10/20/23

Approved _____
Checked _____
Designed _____
Drawn _____

It is a violation of Art. 145, Sect 7209 of the New York State Education Law for any person unless acting under the direction of a Licensed Professional Engineer to alter this drawing. If altered, such PE shall affix his seal, signature, the date, the notation "altered by", and a specific description of the alteration.

NO.	DATE	REVISIONS	INIT	CK'D

MONROE COUNTY  
 WATER AUTHORITY  
 ROCHESTER, NEW YORK

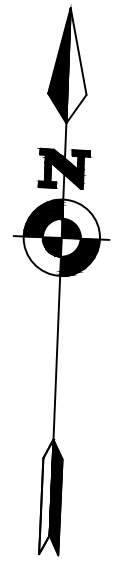
SCALE: 1" = 30'

COLONNADE DRIVE AND GLENN IRIS DRIVE WATER MAIN REPLACEMENTS  
**COLONNADE DRIVE**  
 TOWN OF HENRIETTA

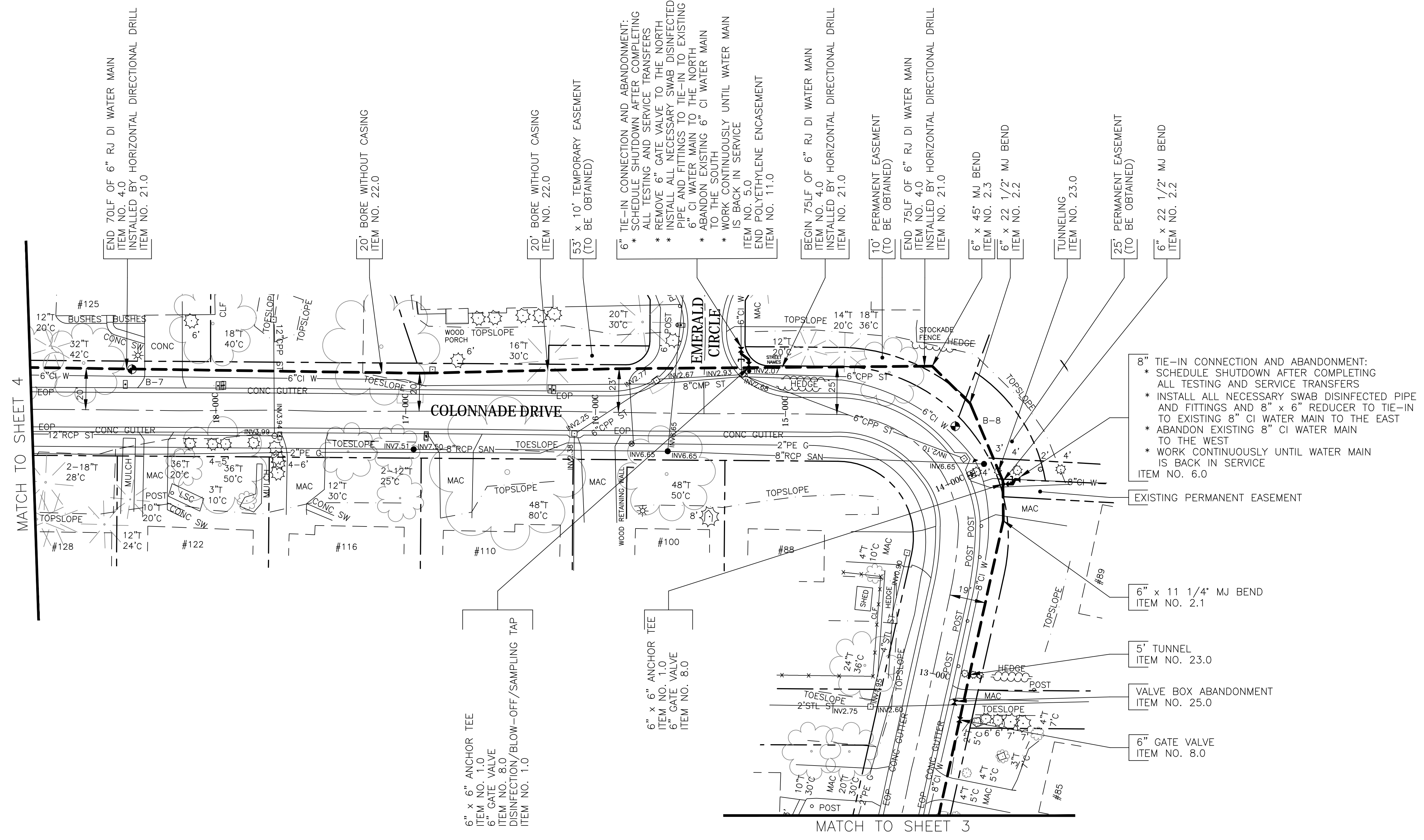

DWG. NO. 2022-024.04  
 AUTH. NO. 133-100  
 DATE: SEPTEMBER 2023

SHEET  
 4  
 OF  
 13

S:\2022 PROJECTS\22-024 COLONNADE DR & GLENN IRIS DR\W\A\SHEETS\SH2-5.dwg



S:\2022 PROJECTS\22-024 COLONNADE DR & GLEN IRIS DR\WASHEETS\SH2-5.dwg

MONROE COUNTY WATER AUTHORITY  
 PROGRESS SET/NOT FOR CONSTRUCTION  
 DATE: 10/20/23

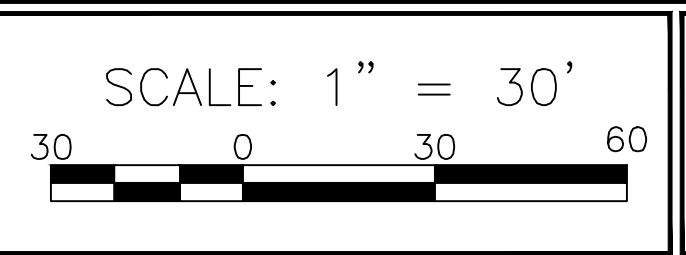
Approved \_\_\_\_\_  
 Checked \_\_\_\_\_  
 Designed \_\_\_\_\_  
 Drawn \_\_\_\_\_

It is a violation of Art. 145, Sect 7209 of the New York State Education Law for any person unless acting under the direction of a Licensed Professional Engineer to alter this drawing. If altered, such PE shall affix his seal, signature, the date, the notation "altered by", and a specific description of the alteration.

NO.	DATE	REVISIONS	INIT	CK'D



MONROE COUNTY WATER AUTHORITY  
 ROCHESTER, NEW YORK

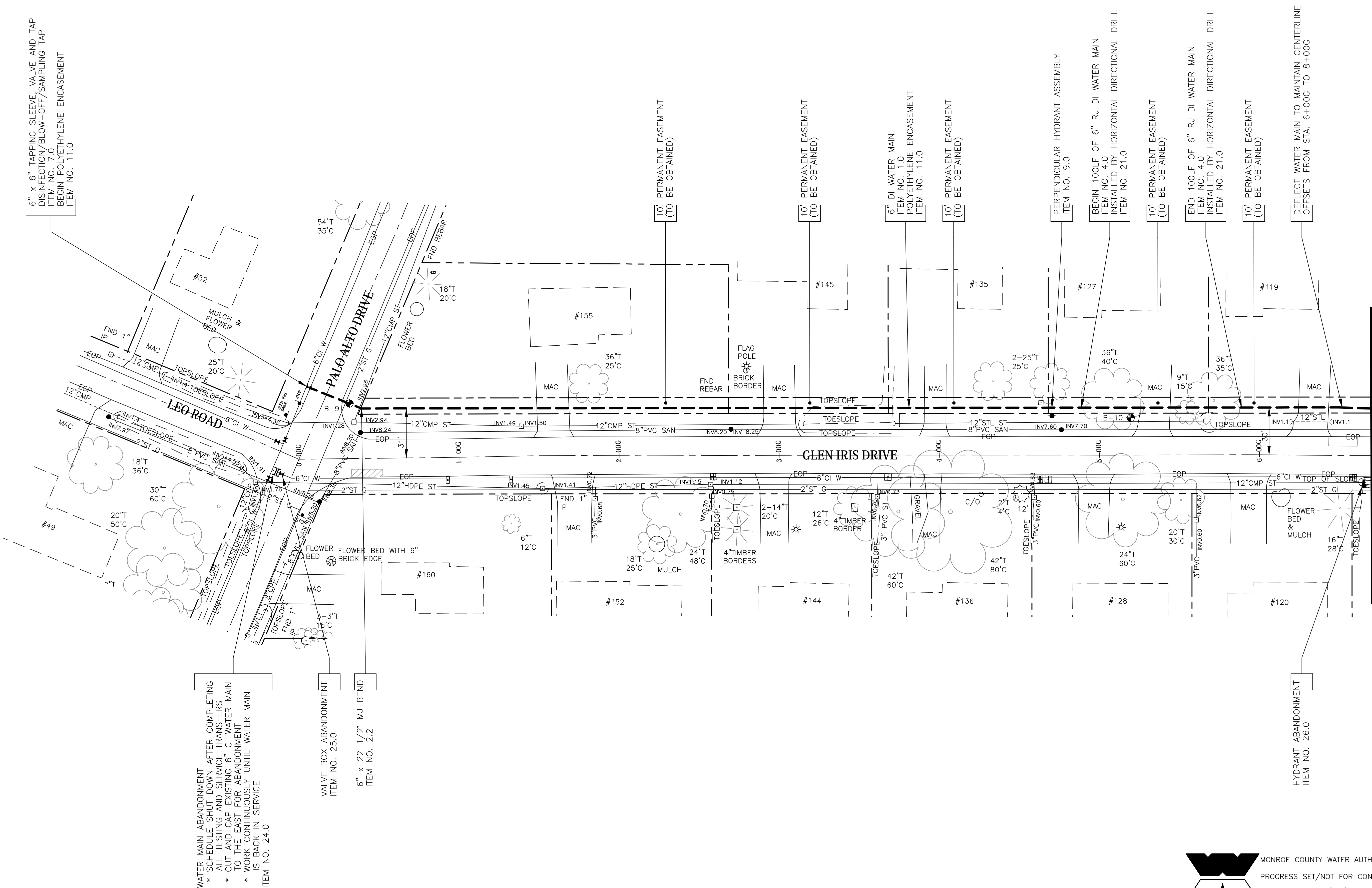
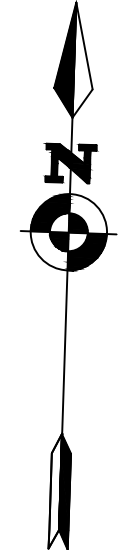


COLONNADE DRIVE AND GLENN IRIS DRIVE WATER MAIN REPLACEMENTS  
**COLONNADE DRIVE**  
 TOWN OF HENRIETTA

DWG. NO. 2022-024.05  
 AUTH. NO. 133-100  
 DATE: SEPTEMBER 2023

SHEET 5 OF 13  
 PHASE **F**

S:\2022 PROJECTS\22-024 COLONNADE DR & GLEN IRIS DR\W\1\SHEETS\SH1 6-8.dwg



6" x 6" TAPPING SLEEVE, VALVE AND TAP  
DISINFECTION/BLOW-OFF/SAMPLING TAP  
ITEM NO. 7.0  
BEGIN POLYETHYLENE ENCASMENT  
ITEM NO. 11.0

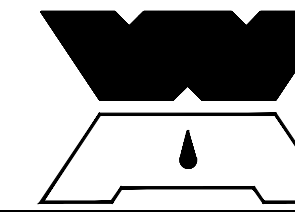
WATER MAIN ABANDONMENT  
\* SCHEDULE SHUT DOWN AFTER COMPLETING  
\* ALL TESTING AND SERVICE TRANSFERS  
\* CUT AND CAP EXISTING 6" CI WATER MAIN  
\* TO THE EAST FOR ABANDONMENT  
\* WORK CONTINUOUSLY UNTIL WATER MAIN  
IS BACK IN SERVICE  
ITEM NO. 24.0

VALVE BOX ABANDONMENT  
ITEM NO. 25.0

6" x 22 1/2" MJ BEND  
ITEM NO. 2.2

HYDRANT ABANDONMENT  
ITEM NO. 26.0

MATCH TO SHEET 7



MONROE COUNTY WATER AUTHORITY  
PROGRESS SET/NOT FOR CONSTRUCTION  
DATE: 10/20/23

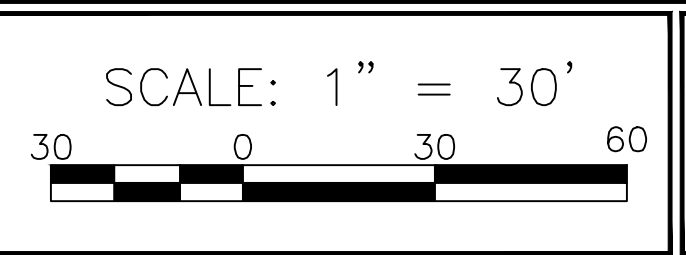
Approved	_____
Checked	_____
Designed	_____
Drawn	_____

It is a violation of Art. 145, Sect 7209 of the New York State Education Law for any person unless acting under the direction of a Licensed Professional Engineer to alter this drawing. If altered, such PE shall affix his seal, signature, the date, the notation "altered by," and a specific description of the alteration.

NO.	DATE	REVISIONS	INIT	CK'D



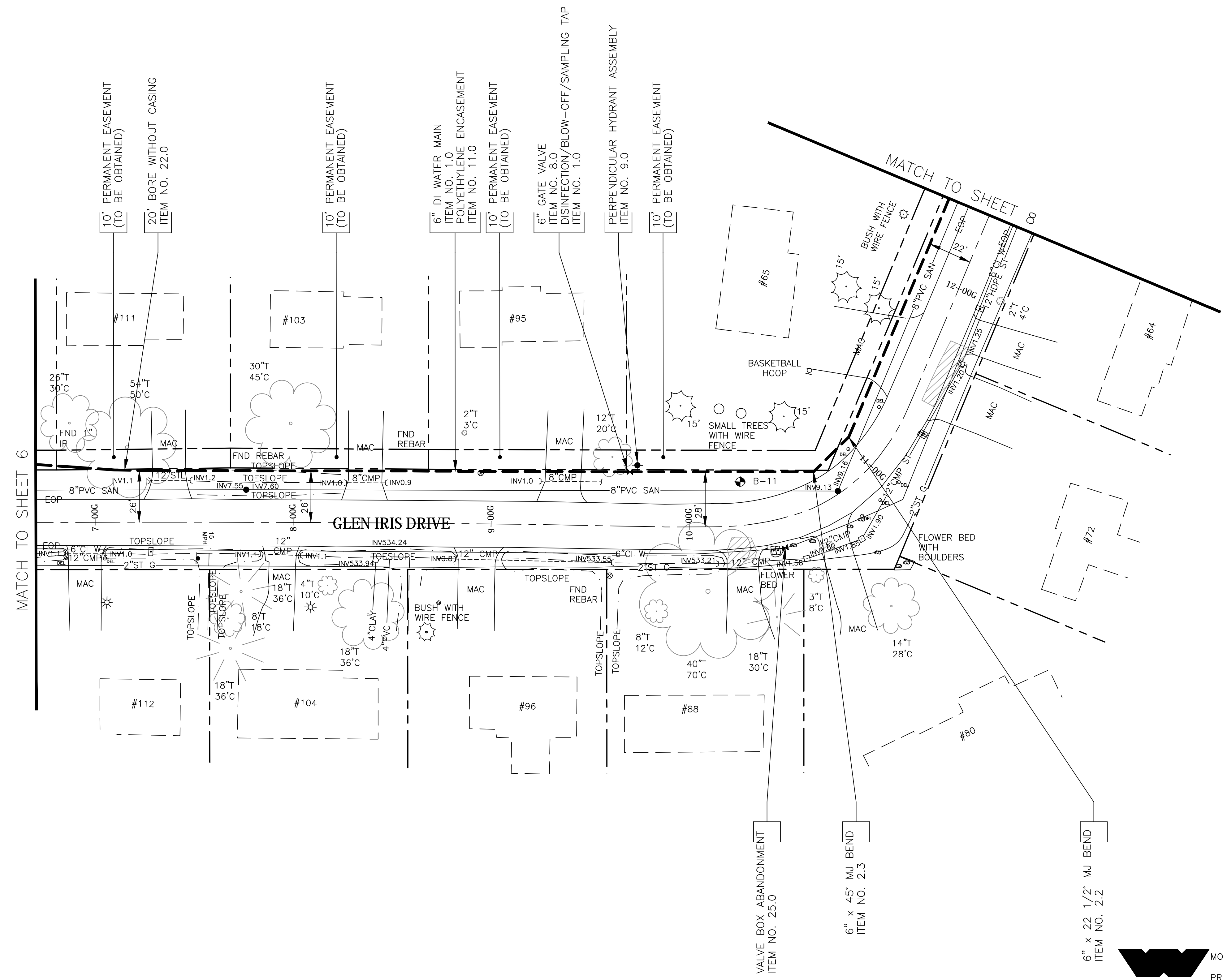
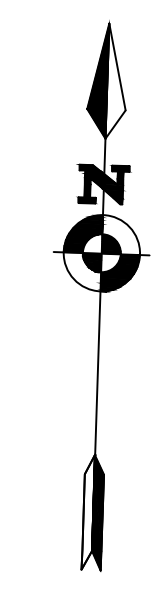
MONROE COUNTY  
WATER AUTHORITY  
ROCHESTER, NEW YORK



COLONNADE DRIVE AND GLENN IRIS DRIVE WATER MAIN REPLACEMENTS  
**GLEN IRIS DRIVE & PALO ALTO DRIVE**  
TOWN OF HENRIETTA

DWG. NO. 2022-024.06  
AUTH. NO. 133-100  
DATE: SEPTEMBER 2023

PHASE  
**F**  
SHEET  
6  
OF  
13



MONROE COUNTY WATER AUTHORITY  
 PROGRESS SET/NOT FOR CONSTRUCTION  
 DATE: 10/20/23

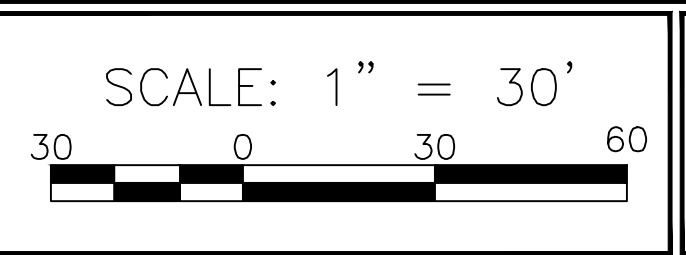
S:\2022 PROJECTS\22-024 COLONNADE DR & GLEN IRIS DR\W\A\SHEETS\SH1 6-8.dwg

Approved \_\_\_\_\_  
 Checked \_\_\_\_\_  
 Designed \_\_\_\_\_  
 Drawn \_\_\_\_\_

It is a violation of Art. 145, Sect 7209 of the New York State Education Law for any person unless acting under the direction of a Licensed Professional Engineer to alter this drawing. If altered, such PE shall affix his seal, signature, the date, the notation "altered by", and a specific description of the alteration.

NO.	DATE	REVISIONS	INIT	CK'D


**MONROE COUNTY WATER AUTHORITY**  
 ROCHESTER, NEW YORK

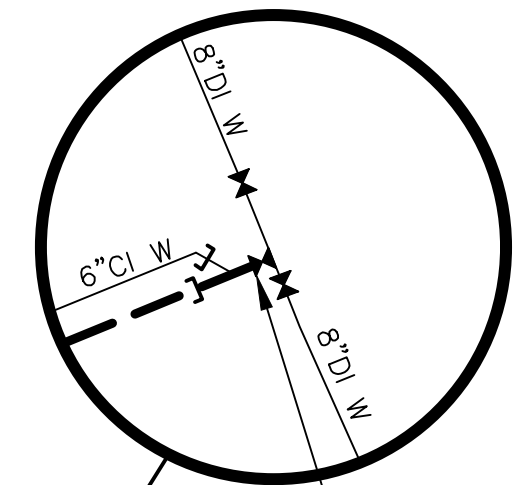
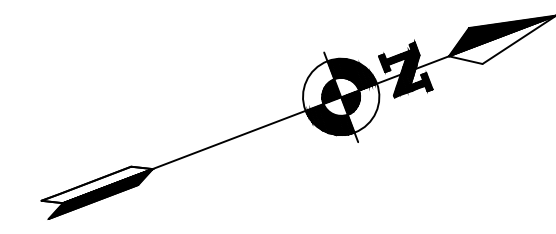


COLONNADE DRIVE AND GLEN IRIS DRIVE WATER MAIN REPLACEMENTS  
**GLEN IRIS DRIVE**  
 TOWN OF HENRIETTA

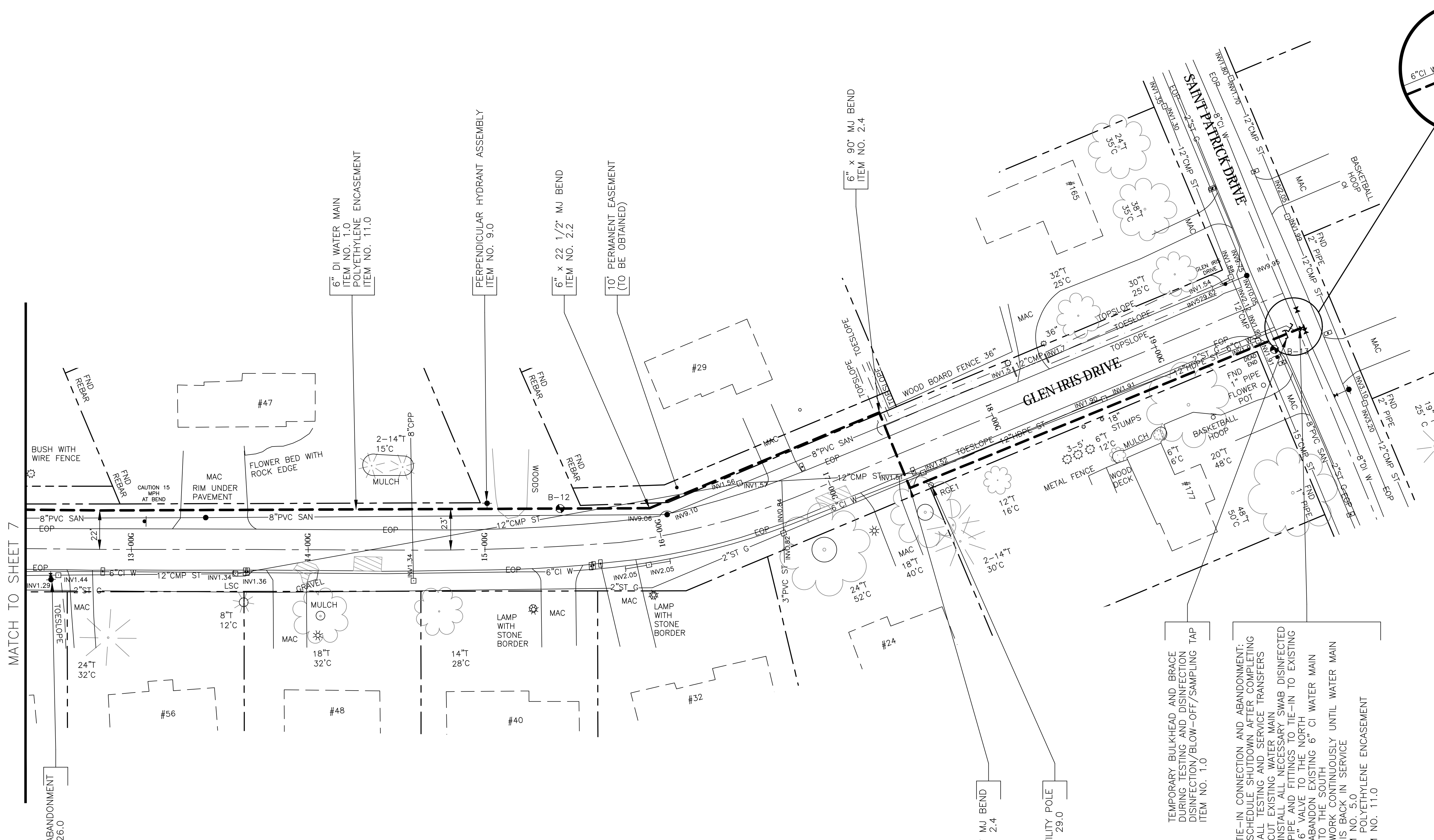
DWG. NO. 2022-024.07  
 AUTH. NO. 133-100  
 DATE: SEPTEMBER 2023

SHEET 7 OF 13  
 PHASE **F**





6" EXISTING GATE VALVE



6" TIE-IN CONNECTION AND ABANDONMENT DURING TESTING AND DISINFECTION BLOW-OFF/SAMPLING TAP ITEM NO. 1.0

6" TIE-IN CONNECTION AND ABANDONMENT: SCHEDULE SHUTDOWN AFTER COMPLETING ALL TESTING AND SERVICE TRANSFERS CUT EXISTING WATER MAIN INSTALL ALL NECESSARY SWAB DISINFECTED PIPE AND FITTINGS TO TIE-IN TO EXISTING 6" VALVE TO THE NORTH \* ABANDON EXISTING 6" CI WATER MAIN TO THE SOUTH \* WORK CONTINUOUSLY UNTIL WATER MAIN IS BACK IN SERVICE ITEM NO. 5.0 END POLYETHYLENE ENCASUREMENT ITEM NO. 11.0

TEMPORARY BULKHEAD AND BRACE DURING TESTING AND DISINFECTION BLOW-OFF/SAMPLING TAP ITEM NO. 1.0

6" x 90' MJ BEND ITEM NO. 2.4

HOLD UTILITY POLE ITEM NO. 29.0

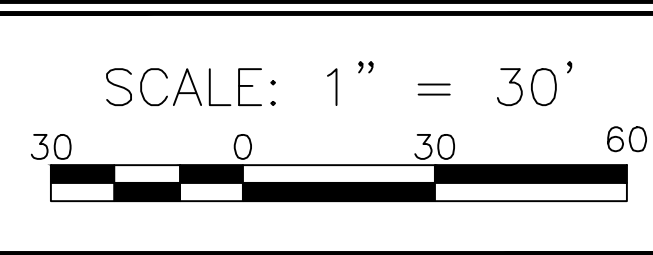


MONROE COUNTY WATER AUTHORITY  
 PROGRESS SET/NOT FOR CONSTRUCTION  
 DATE: 10/20/23

Approved \_\_\_\_\_  
 Checked \_\_\_\_\_  
 Designed \_\_\_\_\_  
 Drawn \_\_\_\_\_

It is a violation of Art. 145, Sect 7209 of the New York State Education Law for any person unless acting under the direction of a Licensed Professional Engineer to alter this drawing. If altered, such PE shall affix his seal, signature, the date, the notation "altered by," and a specific description of the alteration.

NO.	DATE	REVISIONS	INIT	CK'D



COLONNADE DRIVE AND GLENN IRIS DRIVE WATER MAIN REPLACEMENTS  
**GLEN IRIS DRIVE**  
 TOWN OF HENRIETTA

DWG. NO. 2022-024.08  
 AUTH. NO. 133-100  
 DATE: SEPTEMBER 2023

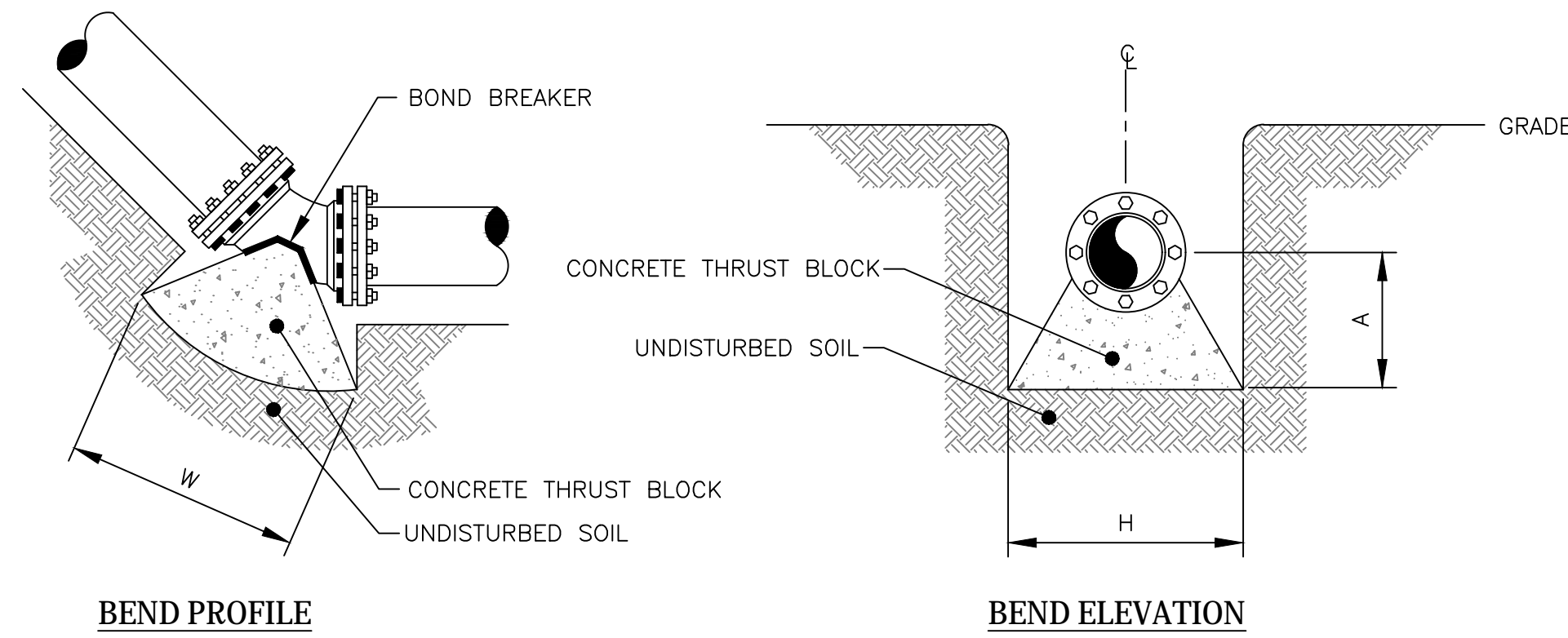
PHASE  
**F**  
 SHEET  
 8 OF 13

S:\2022 PROJECTS\22-024 COLONNADE DR & GLEN IRIS DR\W\SHEETS\SH1 6--8.dwg

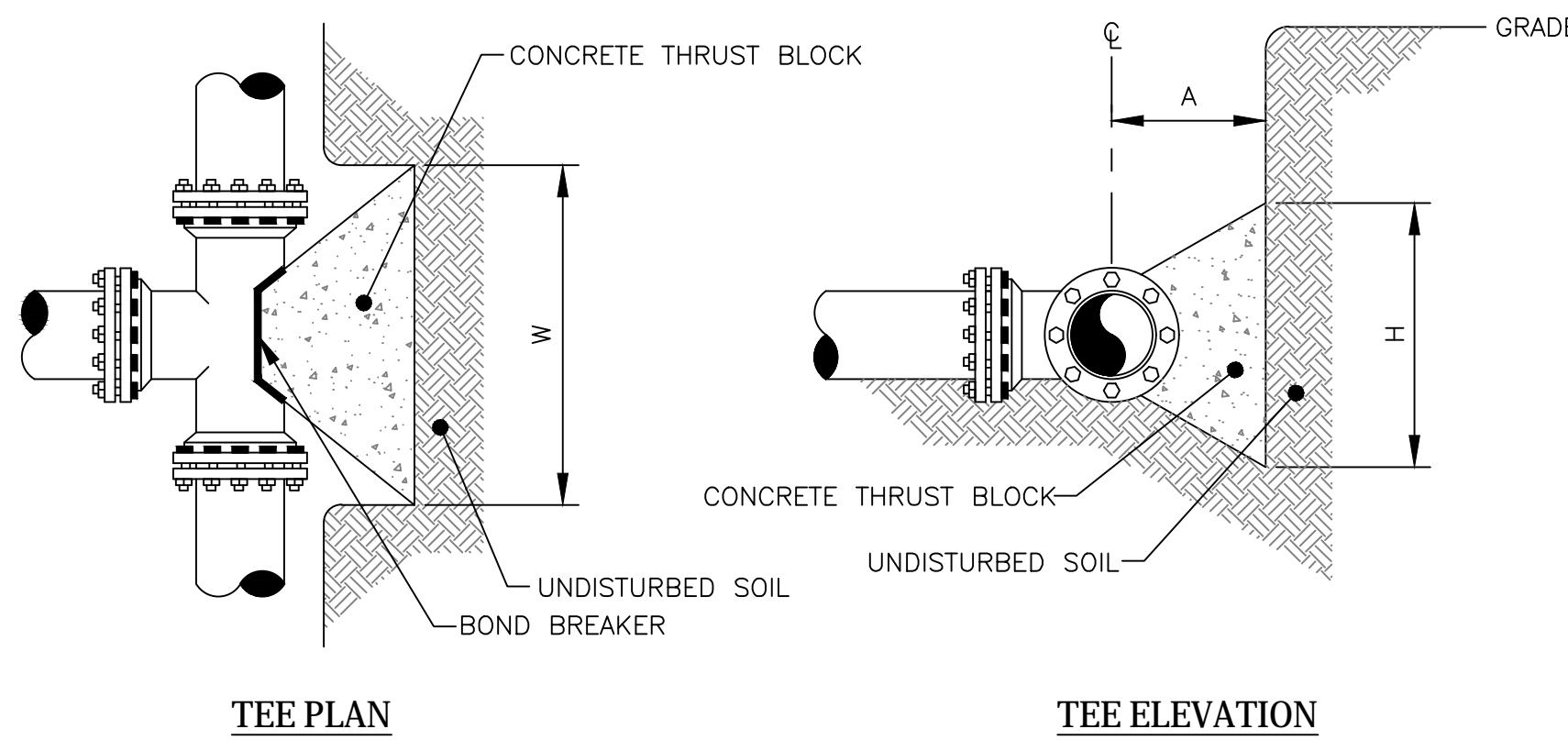
PIPE DIAMETER	BEND OR FITTING														
	11 1/4 DEGREE			22 1/2 DEGREE			45 DEGREE			90 DEGREE			TEE*, CAP OR PLUG		
	H (FT)	W (FT)	A (FT)	H (FT)	W (FT)	A (FT)	H (FT)	W (FT)	A (FT)	H (FT)	W (FT)	A (FT)	H (FT)	W (FT)	A (FT)
6"	1.0	1.5	1.5	1.5	2.0	1.5	2.0	4.0	1.5	4.0	4.0	1.5	2.5	2.5	1.5
8"	1.5	1.5	1.5	2.0	2.0	1.5	2.0	4.0	1.5	4.0	4.0	1.5	2.5	4.0	1.5

\* SIZE BLOCK BASED ON BRANCH DIAMETER.  
**SOIL BEARING STRENGTH - 1500 PSF**  
**150 PSI TEST PRESSURE**

**HORIZONTAL AND VERTICAL UP THRUST BLOCKS**

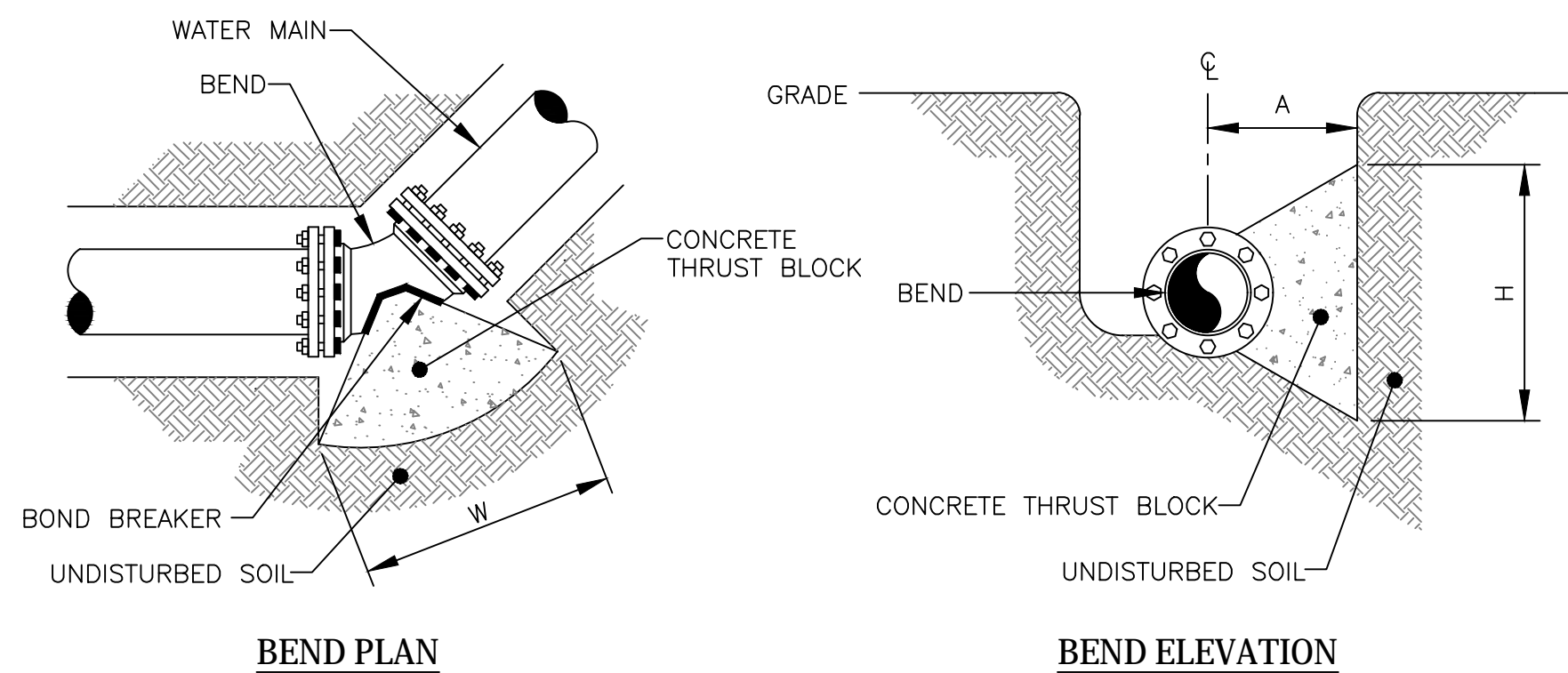


**VERTICAL UP THRUST BLOCKS**  
NOT TO SCALE



TEE PLAN

TEE ELEVATION



BEND PLAN

BEND ELEVATION

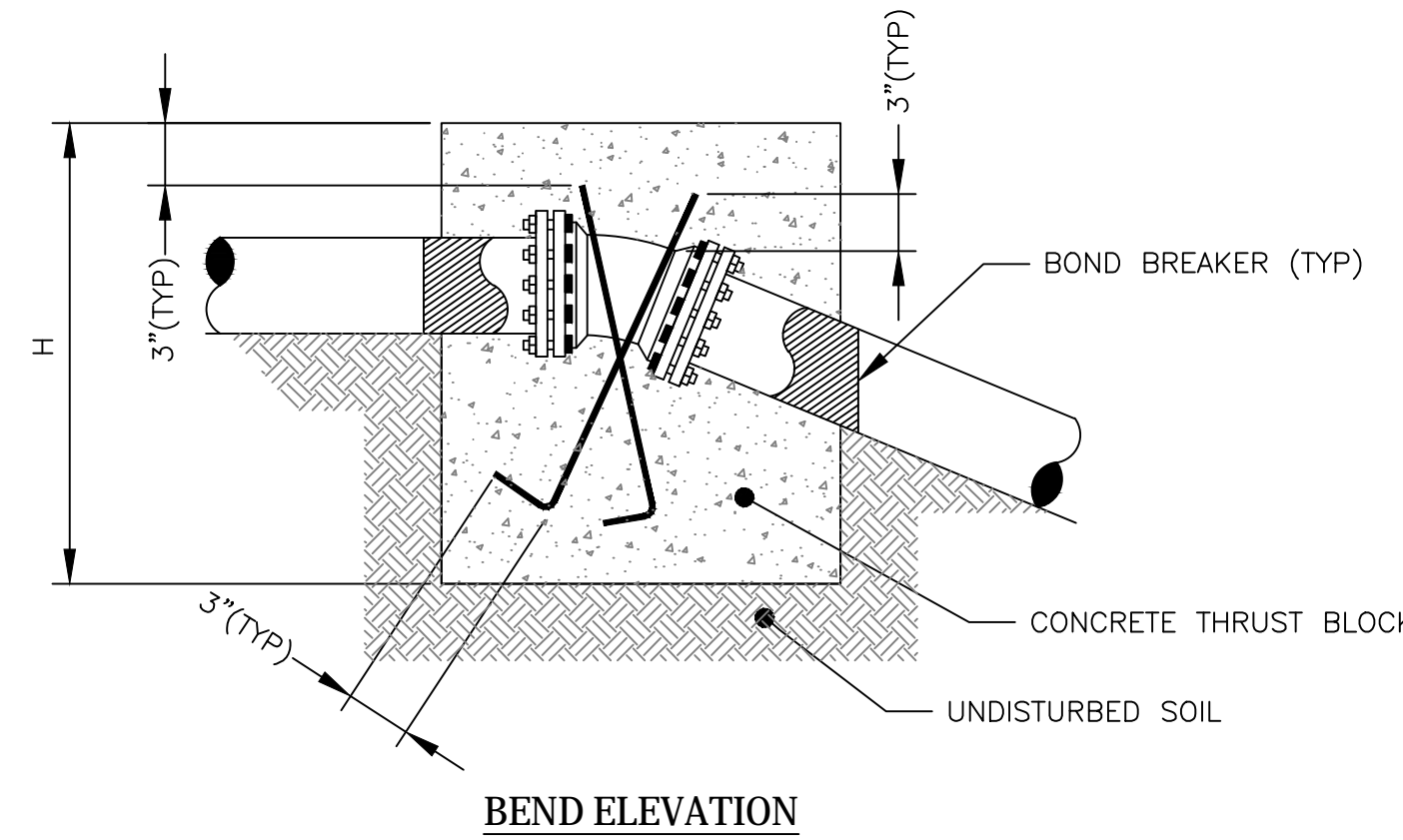
**HORIZONTAL THRUST BLOCKS**

NOT TO SCALE  
STND 12/13

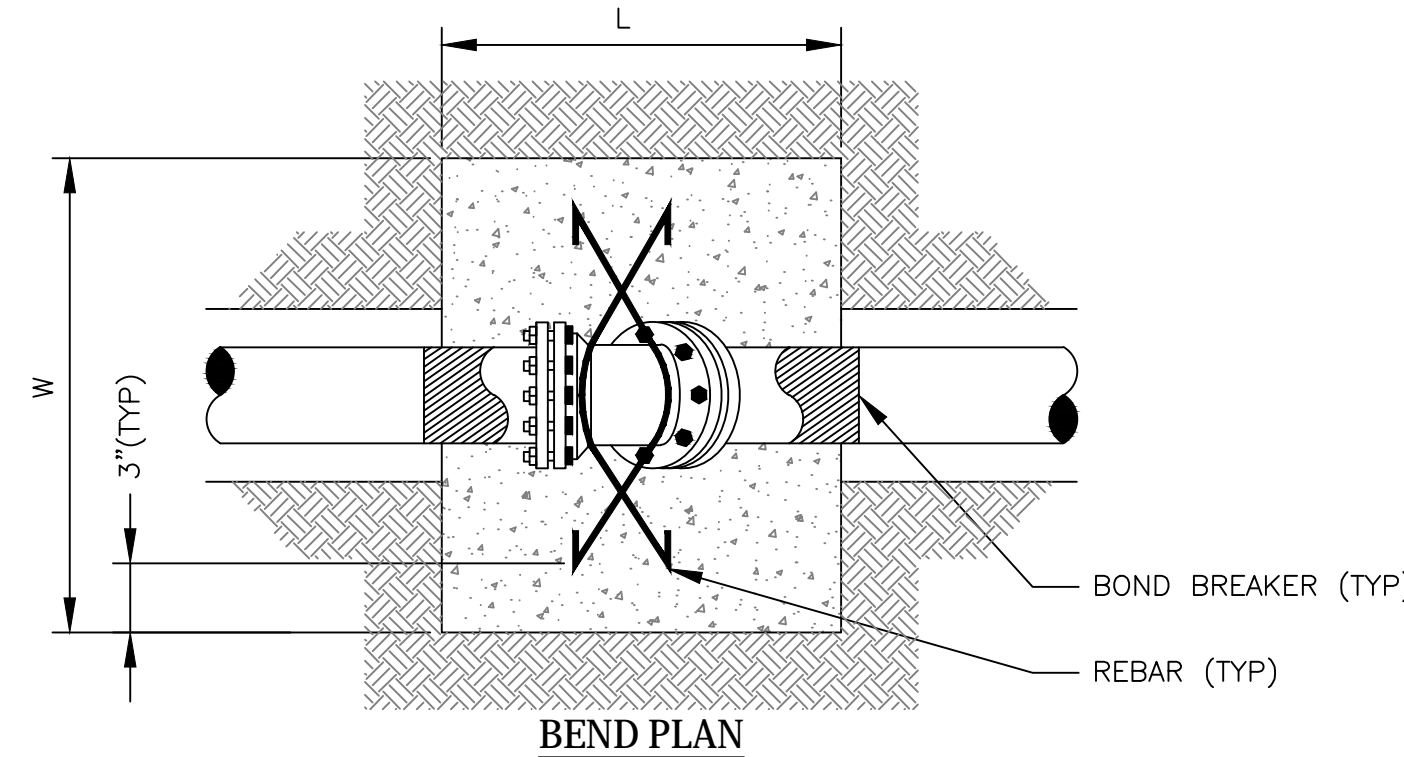
PIPE DIAMETER	BEND															
	11 1/4 DEGREE				22 1/2 DEGREE				45 DEGREE				90 DEGREE			
	L (FT)	W (FT)	H (FT)	VOL (CY)	L (FT)	W (FT)	H (FT)	VOL (CY)	L (FT)	W (FT)	H (FT)	VOL (CY)	L (FT)	W (FT)	H (FT)	VOL (CY)
6"	2.0	3.0	2.0	0.5	3.0	3.0	2.5	0.8	4.0	3.5	3.0	1.6	3.5	4.5	4.0	2.3
8"	3.0	2.5	3.0	0.8	4.0	3.0	3.5	1.5	4.5	4.5	3.5	2.6	3.5	5.5	5.5	3.9

**SOIL BEARING STRENGTH - 1500 PSF**  
**150 PSI TEST PRESSURE**

**VERTICAL DOWN THRUST BLOCKS**



BEND ELEVATION

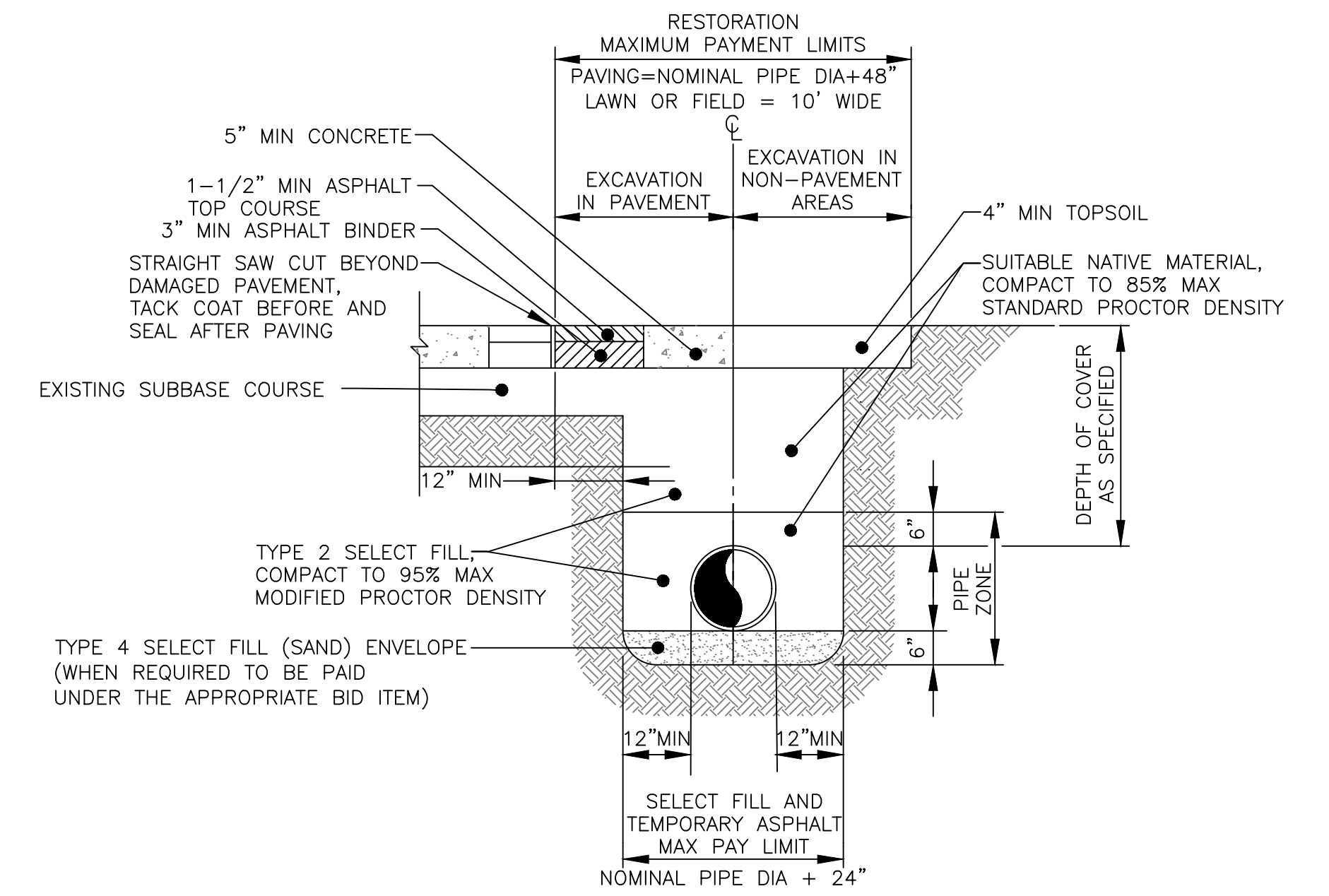


BEND PLAN

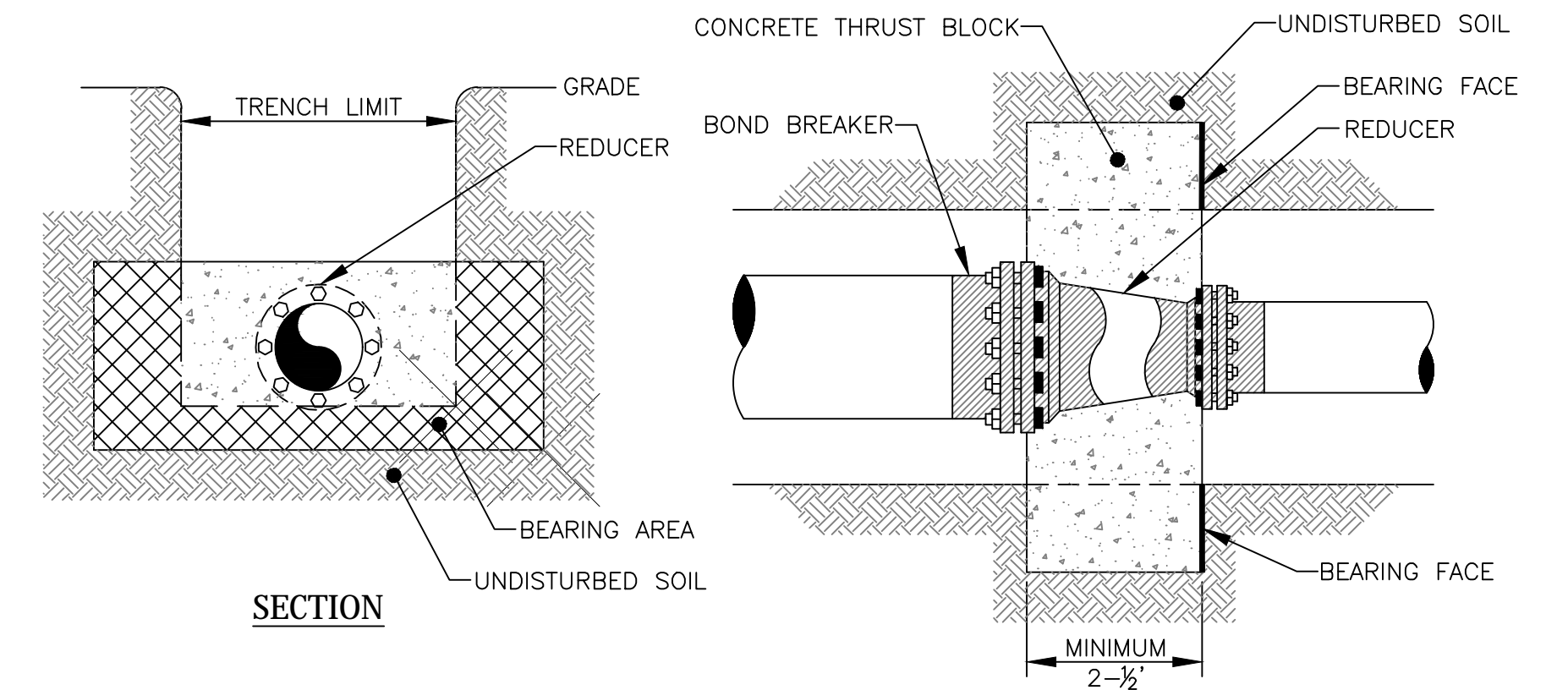
NOTES:  
 1. THRUST BLOCKS SHALL BE CENTERED HORIZONTALLY ON BENDS.  
 2. VOLUMES SHOWN IN CHART ARE MINIMUMS.

**VERTICAL DOWN THRUST BLOCKS**

NOT TO SCALE  
STND 12/13



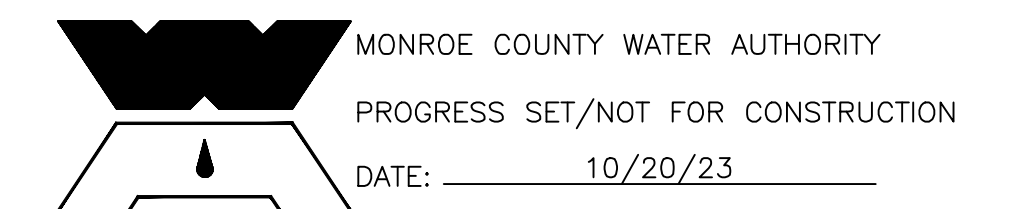
**DIP TRENCH**  
NOT TO SCALE  
STND 03/22



REDUCER	MINIMUM REQUIRED BEARING AREA (SQ FT)
8" x 6"	4.0 SF
6" x 4"	3.0 SF

**PLAN**  
 [Cross-hatched symbol] = BEARING AREA OF THRUST BLOCK OUTSIDE TRENCH LIMITS IN UNDISTURBED SOIL

**REDUCER**  
NOT TO SCALE  
STND 03/22



Approved _____
Checked _____
Designed _____
Drawn _____

It is a violation of Art. 145, Sect 7209 of the New York State Education Law for any person unless acting under the direction of a Licensed Professional Engineer to alter this drawing. If altered, such PE shall affix his seal, signature, the date, the notation "altered by," and a specific description of the alteration.

NO.	DATE	REVISIONS	INIT	CK'D



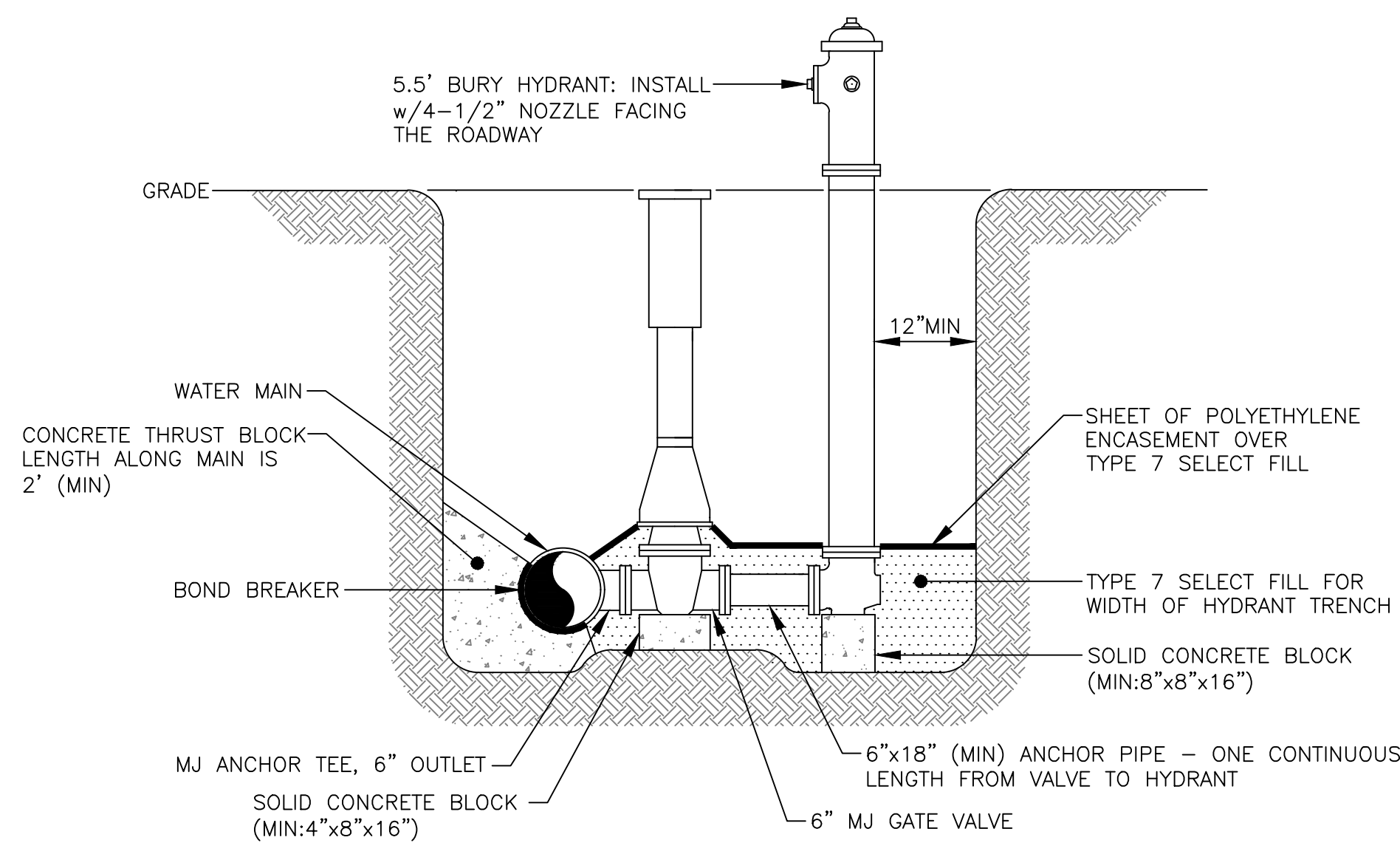
NOT TO SCALE

COLONNADE DRIVE AND GLENN IRIS DRIVE WATER MAIN REPLACEMENTS  
**DETAILS**  
 TOWN OF HENRIETTA

DWG. NO. 2022-024.09	PHASE <b>F</b>
AUTH. NO. 133-100	DATE: SEPTEMBER 2023

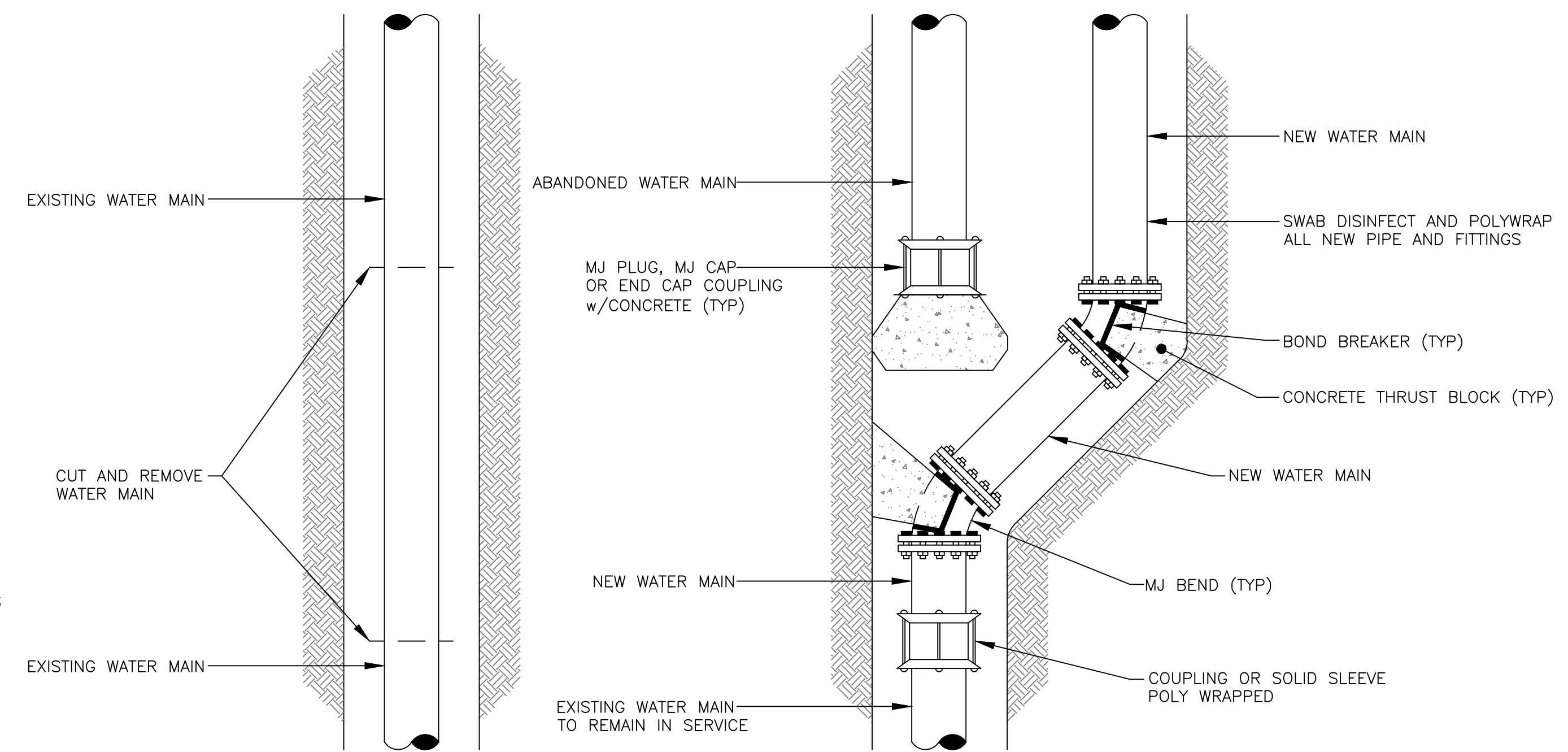
SHEET 9 OF 13

S:\2022 PROJECTS\22-024 COLONNADE DR & GLENN IRIS DR WATER MAINS\SH9-12.dwg



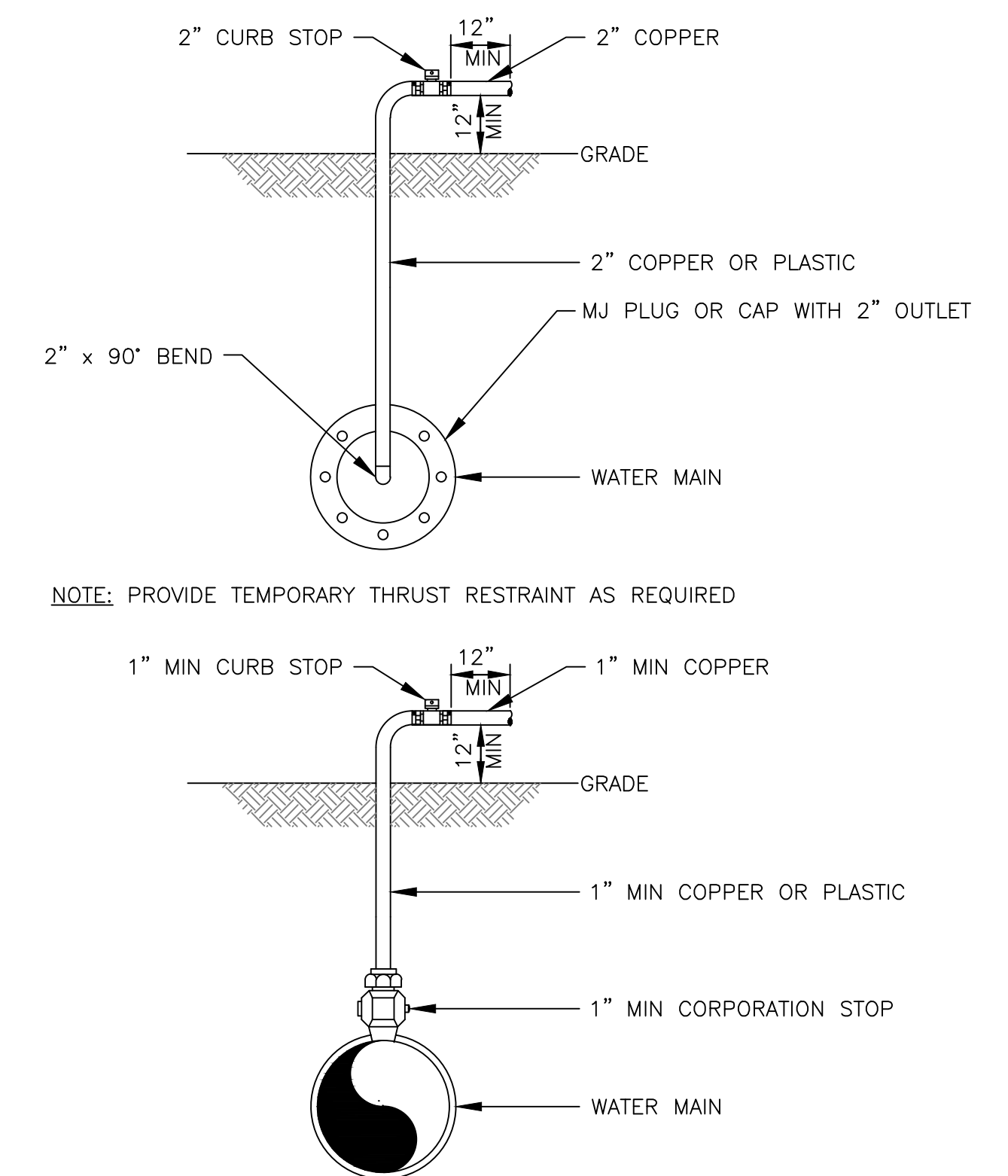
**PERPENDICULAR HYDRANT ASSEMBLY**

NOT TO SCALE  
STND 03/22



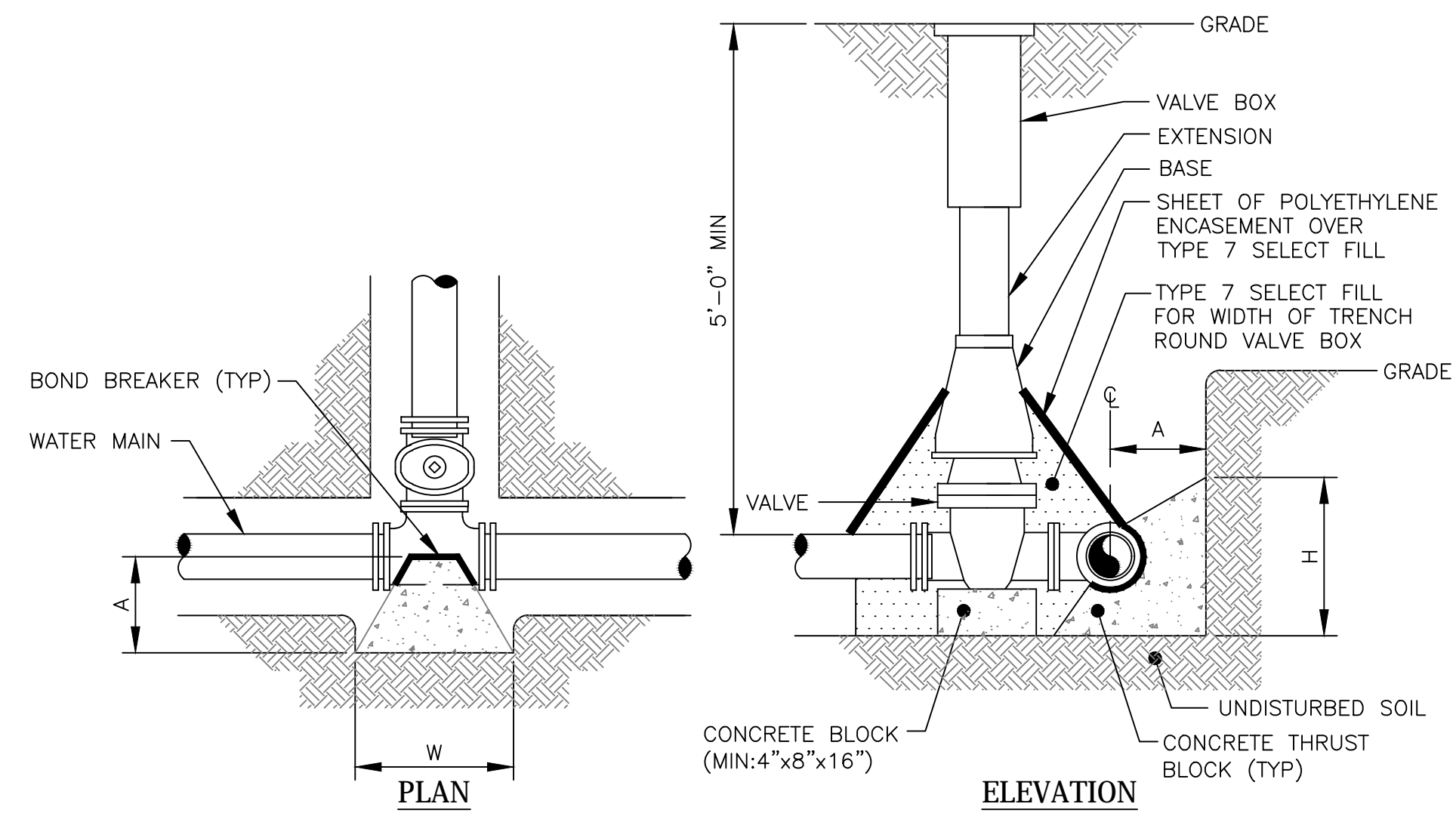
**WATER MAIN ABANDONMENT /TIE-IN CONNECTION**

NOT TO SCALE  
STND 03/22



**DISINFECTION/BLOW-OFF/SAMPLING TAP (TEMPORARY)**

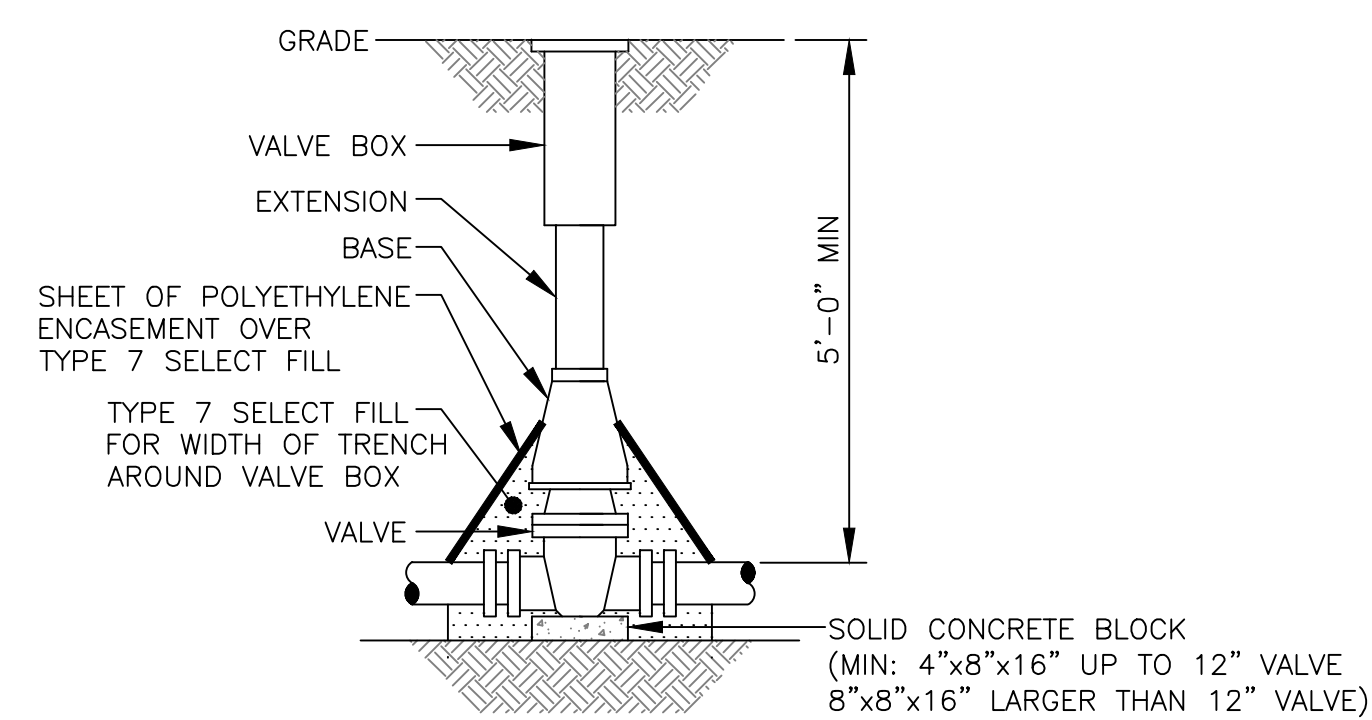
NOT TO SCALE  
STND 05/22



NOTE: 1. INSTALL VALVE DIRECTLY ON TAPPING SLEEVE.  
2. REFER TO THRUST BLOCK CHART FOR THRUST BLOCK DIMENSIONS.

**TAPPING SLEEVE AND VALVE**

NOT TO SCALE  
STND 11/22

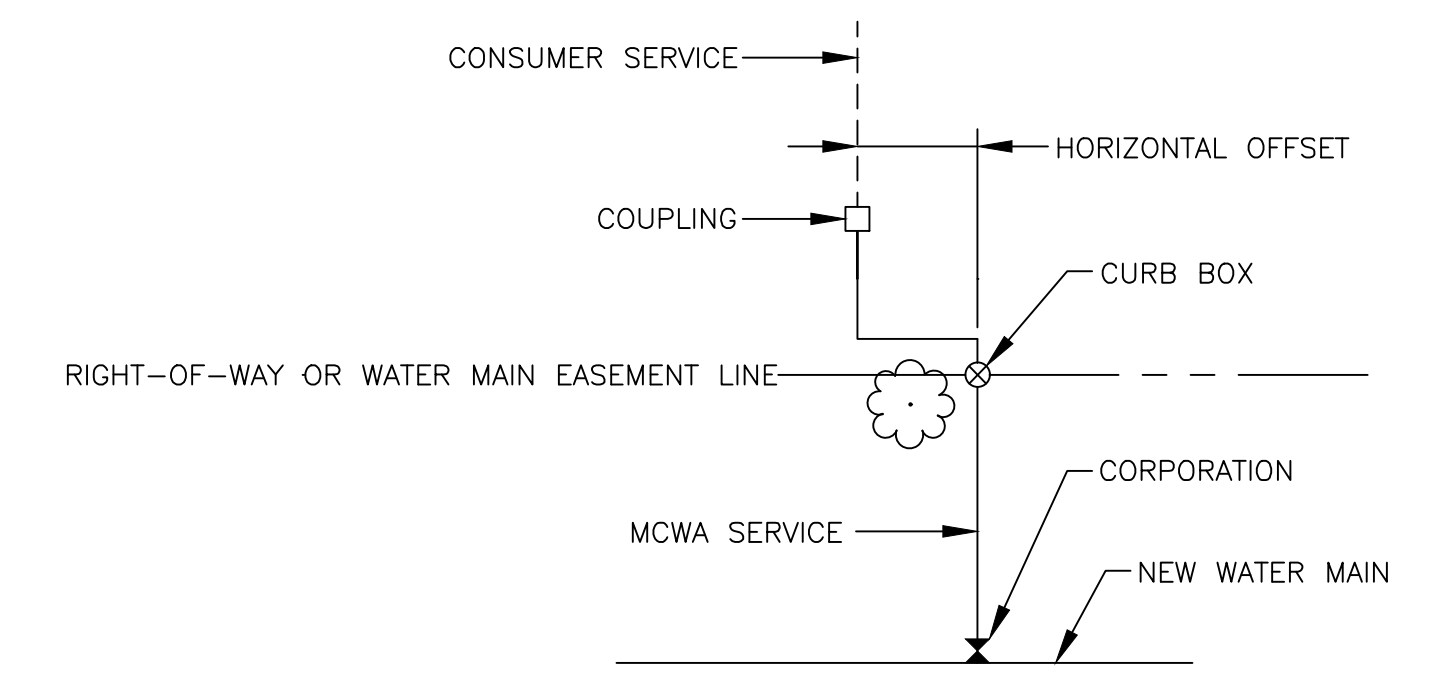


**NOTES:**

1. CENTER VALVE BOX ON VALVE AND SET ON COMPACTED BACKFILL.
2. VALVE SHALL NOT SUPPORT VALVE BOX.
3. ALL VALVES SHALL BE OPEN LEFT EXCEPT:  
TOWN OF WEBSTER – VALVES 12" AND SMALLER SHALL OPEN RIGHT.  
TOWN OF HENRIETTA – SHALL OPEN RIGHT

**VALVE**

NOT TO SCALE  
STND 03/22

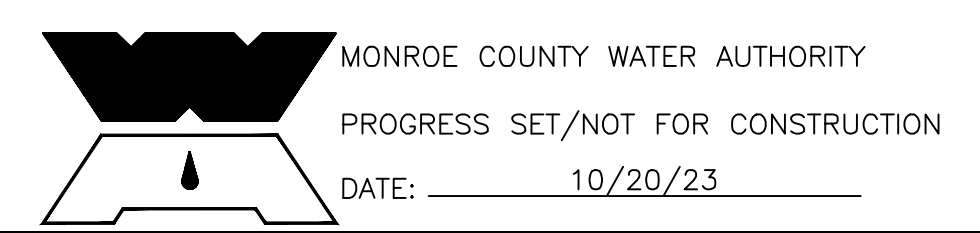


NOTE: OFFSETS MUST BE APPROVED BY THE ENGINEER ON A CASE BY CASE BASIS, AND WILL ONLY BE USED IN THE EVENT OF CONFLICTS.

**SERVICE PLAN VIEW**

NOT TO SCALE  
STND 03/22

S:\2022 PROJECTS\22-024 COLONNADE DR & GLEN IRIS DR\WMSHEETS\SH1 9-12.dwg



Approved _____
Checked _____
Designed _____
Drawn _____

It is a violation of Art. 145, Sect 7209 of the New York State Education Law for any person unless acting under the direction of a Licensed Professional Engineer to alter this drawing. If altered, such PE shall affix his seal, signature, the date, the notation "altered by", and a specific description of the alteration.

NO.	DATE	REVISIONS	INIT	CK'D

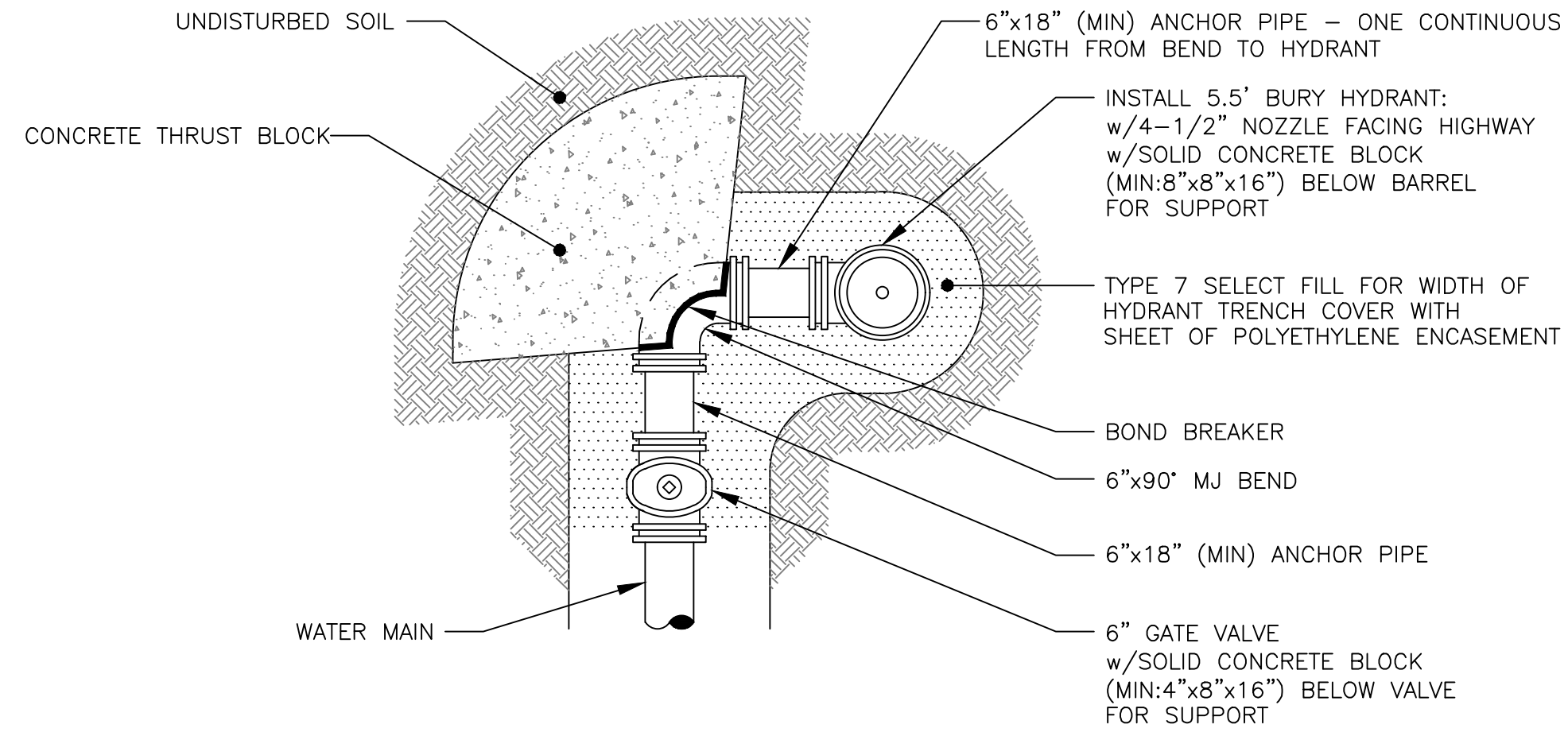


NOT TO SCALE

COLONNADE DRIVE AND GLENN IRIS DRIVE WATER MAIN REPLACEMENTS  
**DETAILS**  
TOWN OF HENRIETTA

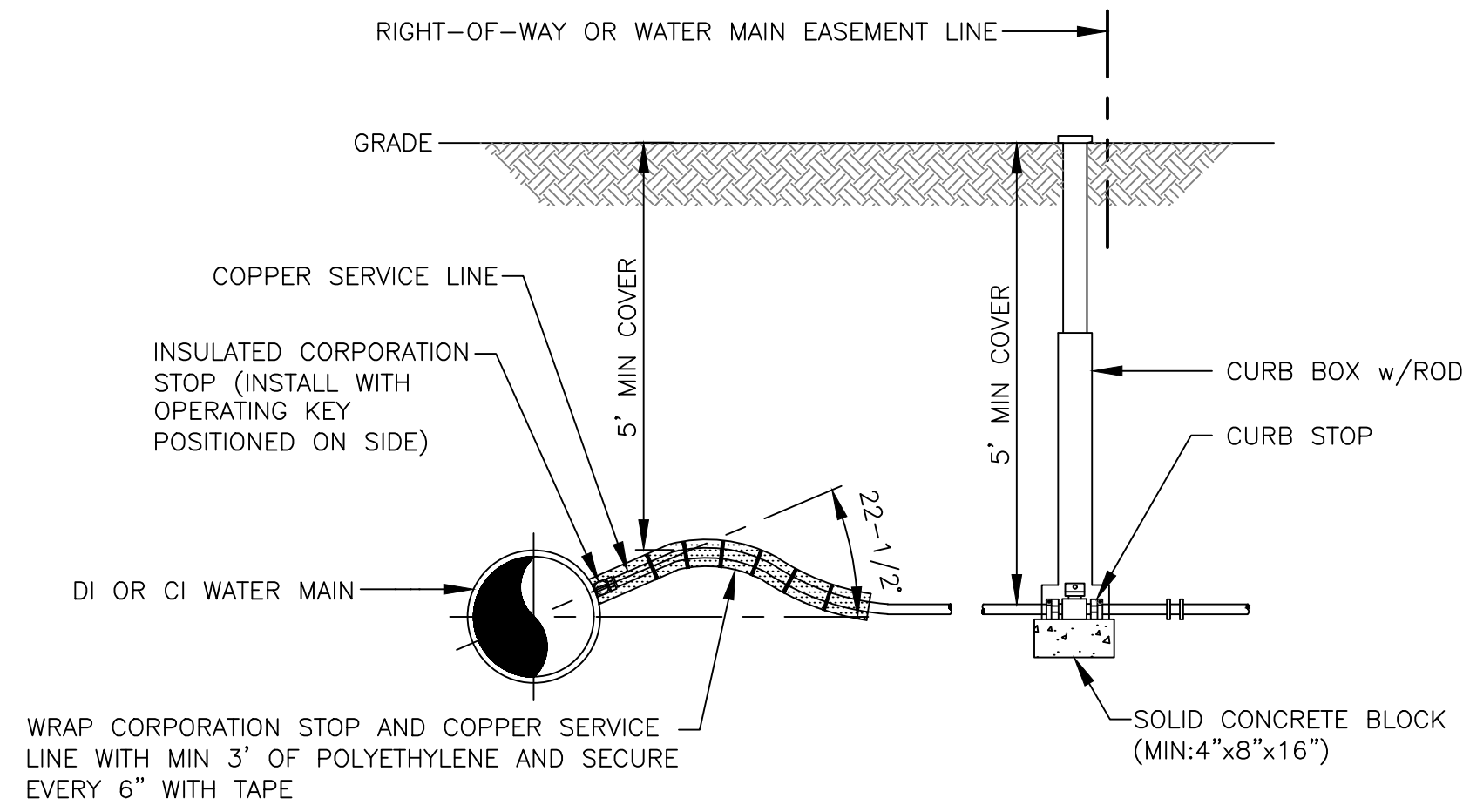
DWG. NO. 2022-024.10
AUTH. NO. 133-100
DATE: SEPTEMBER 2023

SHEET 10 OF 13
PHASE <b>F</b>



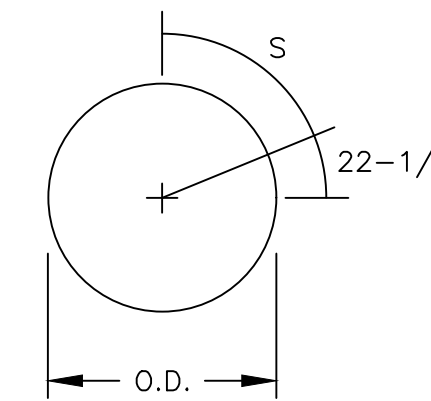
**DEAD END PERPENDICULAR HYDRANT ASSEMBLY**

NOT TO SCALE  
STND 03/22



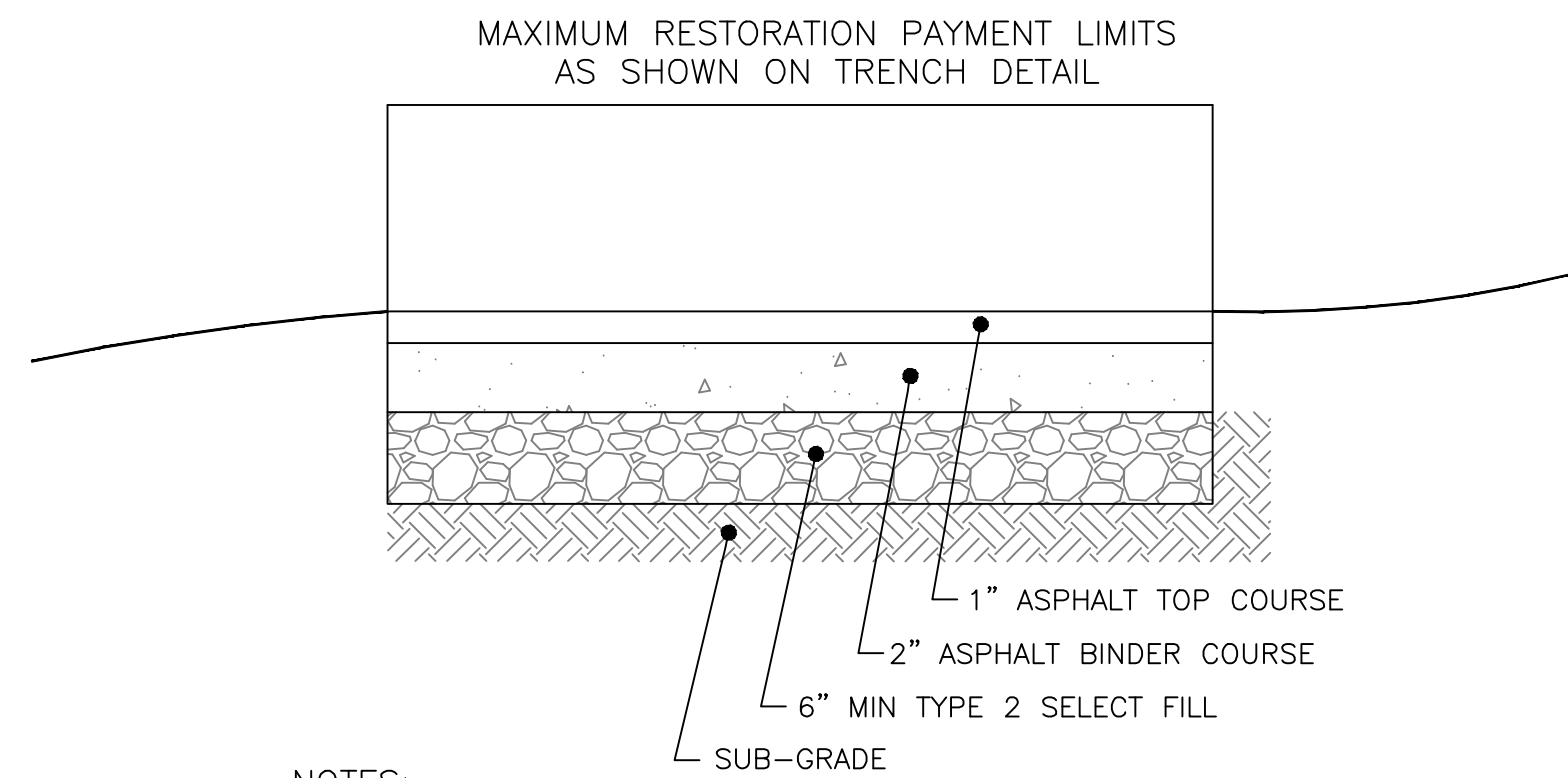
- NOTE:** 1. USE COPPER SERVICE UNLESS OTHERWISE APPROVED BY THE ENGINEER.  
2. PRIOR TO TAPPING A POLY-WRAPPED MAIN, TIGHTLY WRAP THE MAIN/POLYWRAP WITH TWO LAYERS OF 8 MIL POLYETHYLENE ADHESIVE TAPE FOR A LENGTH OF 24", CENTERED AROUND TAP LOCATION. TAP MAIN THROUGH TAPE.

PIPE SIZE	D.I. PIPE OD (IN)	S (IN)
6"	6.9	4.06
8"	9.05	5.33



**COPPER SERVICE INSTALLATION ON DI OR CI PIPE**

NOT TO SCALE  
STND 03/22

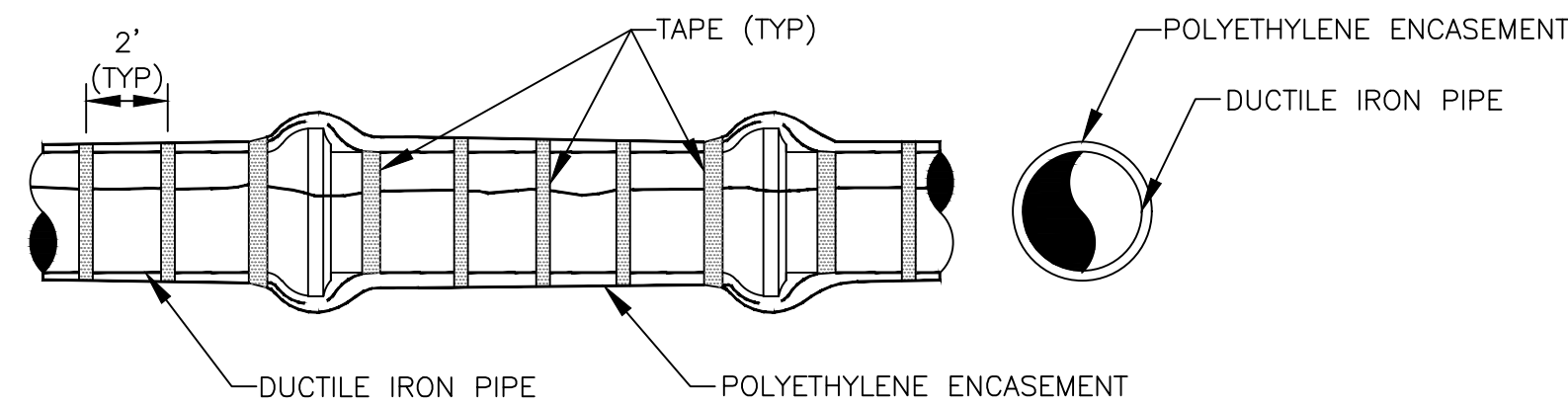


**NOTES:**

1. INSTALL A MINIMUM OF 6" OF SELECT FILL AT DRIVEWAY CROSSINGS OR MATCH EXISTING IF GREATER THAN 6".
2. TYPE 2 SELECT FILL TO BE PAID UNDER THE APPROPRIATE BID ITEM.

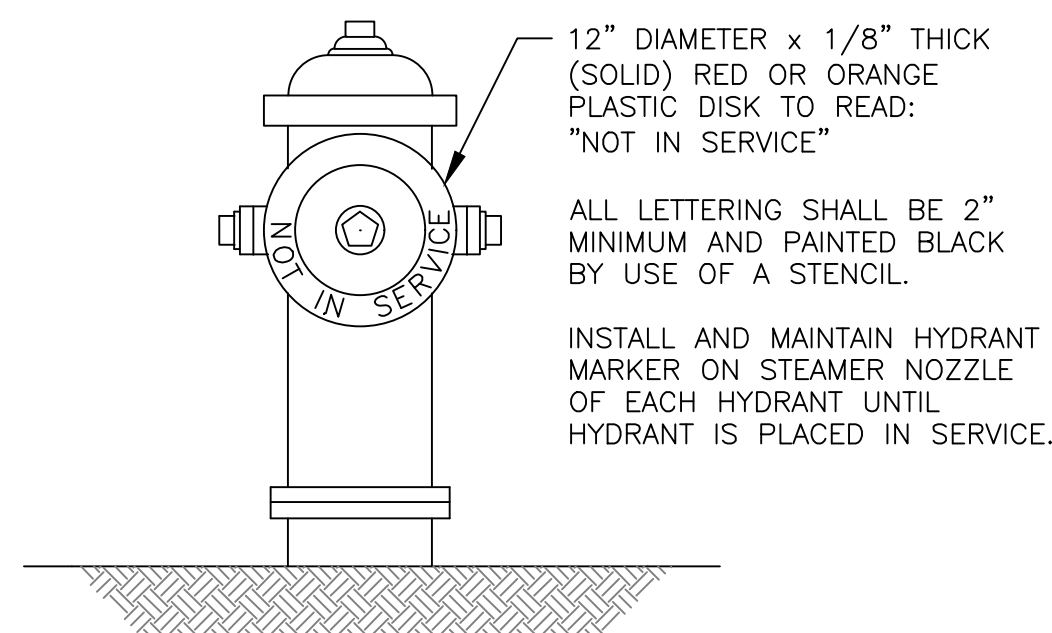
**ASPHALT DRIVEWAY RESTORATION**

NOT TO SCALE  
STND 03/22



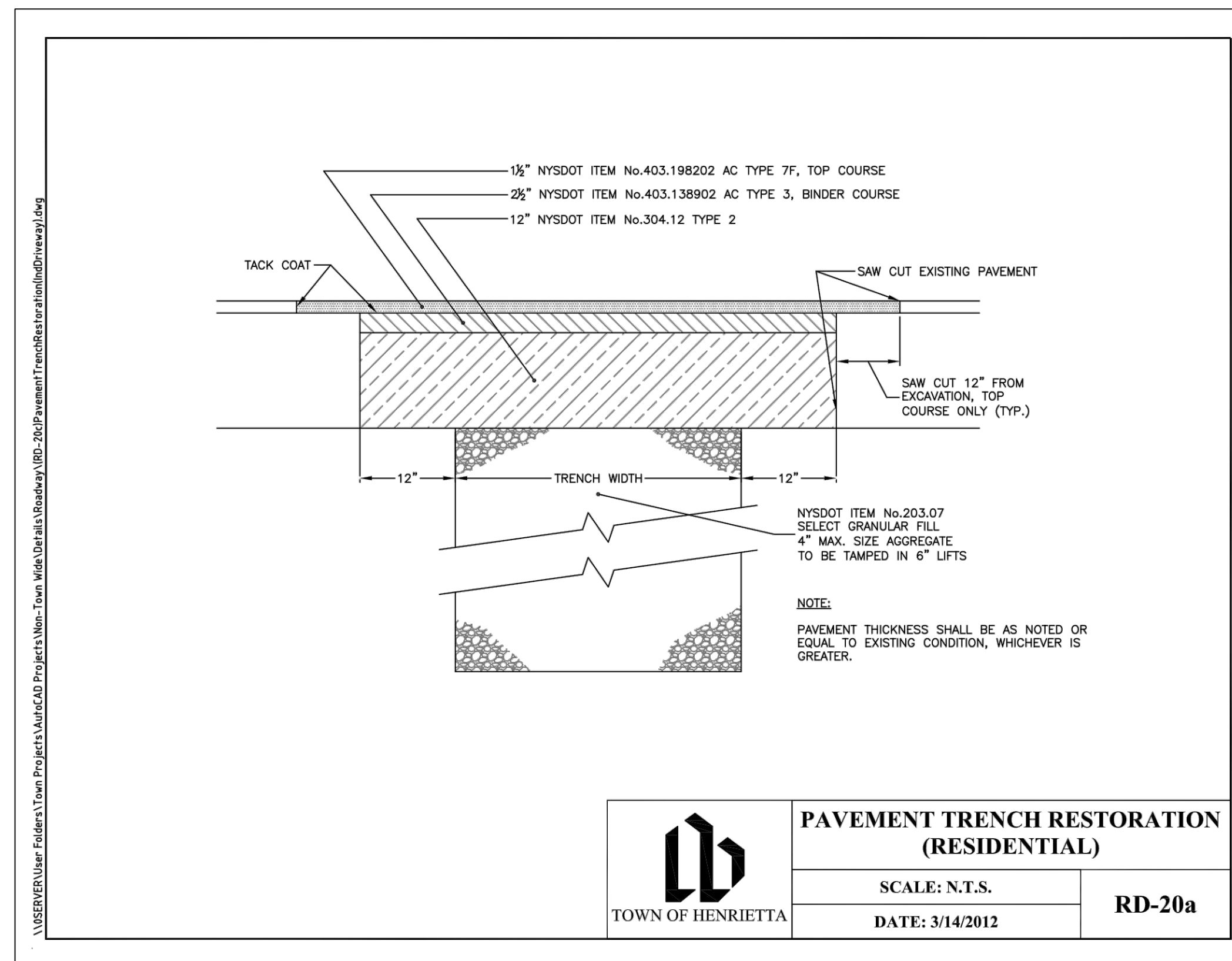
**POLYETHYLENE ENCASUREMENT**

NOT TO SCALE  
STND 03/22

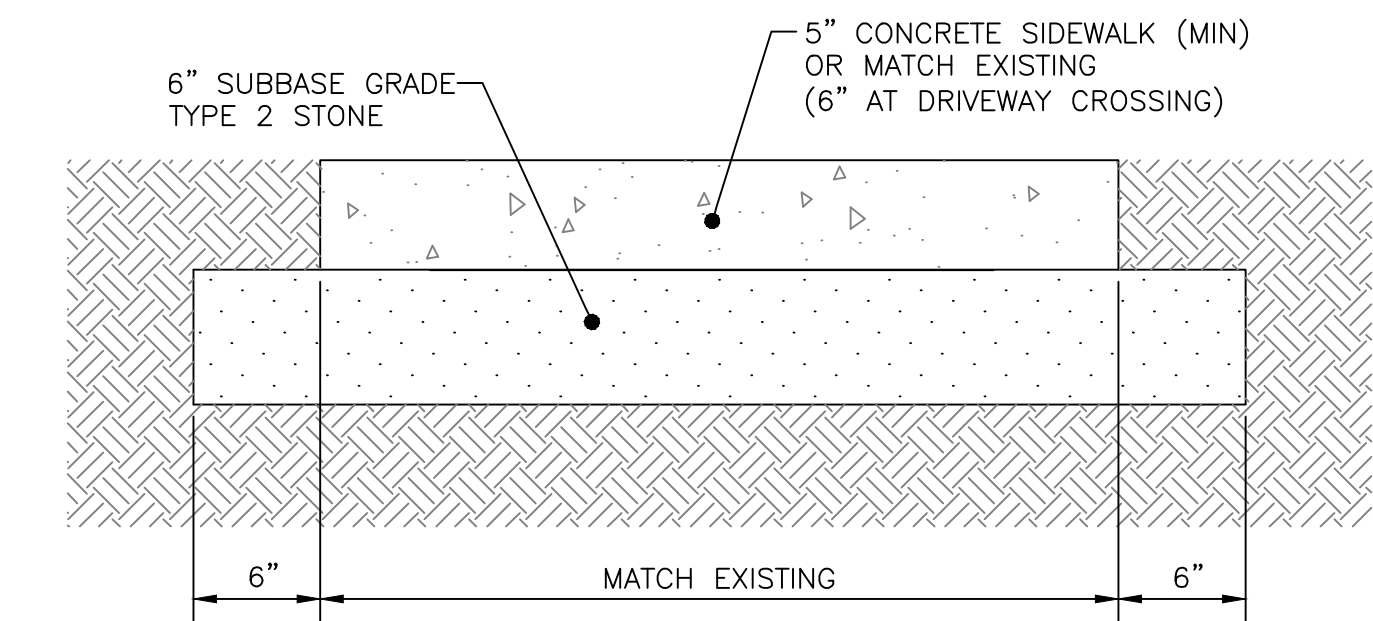


**HYDRANT MARKER**

NOT TO SCALE  
STND 03/22



**PAVEMENT TRENCH RESTORATION (RESIDENTIAL)**  
SCALE: N.T.S.  
DATE: 3/14/2012  
RD-20a



**NOTES:**

1. SAW CUT SIDEWALK TO OBTAIN A STRAIGHT AND NEAT EDGE FOR REPLACEMENT.
2. REINFORCE SIDEWALK.
3. INSTALL EXPANSION JOINTS.
4. CONTROL JOINTS 1" DEEP EVERY 5'.
5. EDGES TO BE TROWELED.
6. EXPOSED CONCRETE TO BE BROOM FINISHED.

**CONCRETE SIDEWALK REPLACEMENT**

NOT TO SCALE  
STND 04/22

**MONROE COUNTY WATER AUTHORITY**  
PROGRESS SET/NOT FOR CONSTRUCTION  
DATE: 10/20/23

S:\2022 PROJECTS\22-024 COLONNADE DR & GLEN IRIS DR WM\PROJECTS\SH1 9-12.dwg

Approved _____
Checked _____
Designed _____
Drawn _____

It is a violation of Art. 145, Sect 7209 of the New York State Education Law for any person unless acting under the direction of a Licensed Professional Engineer to alter this drawing. If altered, such PE shall affix his seal, signature, the date, the notation "altered by", and a specific description of the alteration.

NO.	DATE	REVISIONS	INIT	CK'D

**MONROE COUNTY WATER AUTHORITY**  
ROCHESTER, NEW YORK

NOT TO SCALE

COLONNADE DRIVE AND GLENN IRIS DRIVE WATER MAIN REPLACEMENTS

**DETAILS**

TOWN OF HENRIETTA

DWG. NO. 2022-024.11

AUTH. NO. 133-100

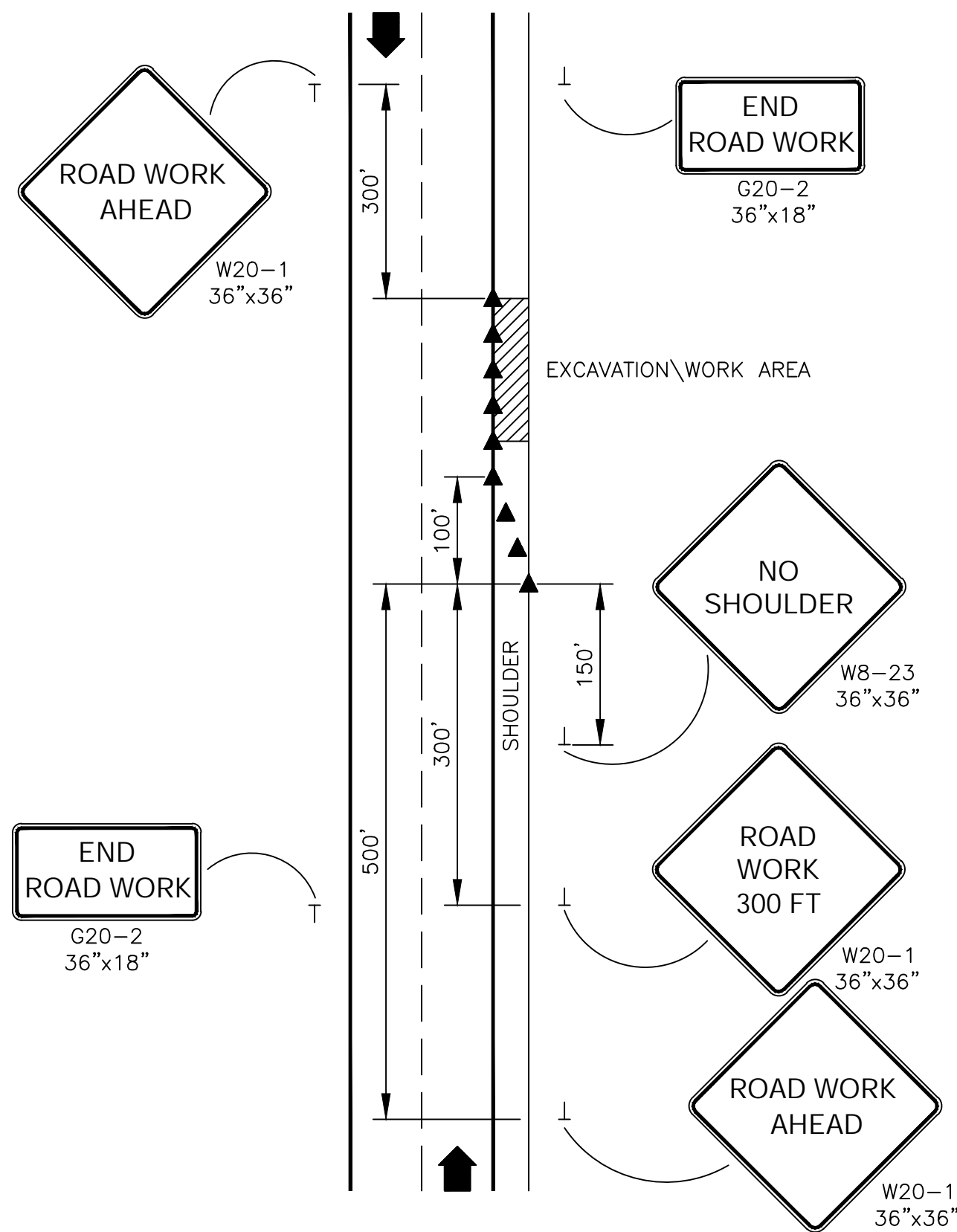
DATE: SEPTEMBER 2023

SHEET 11

OF 13

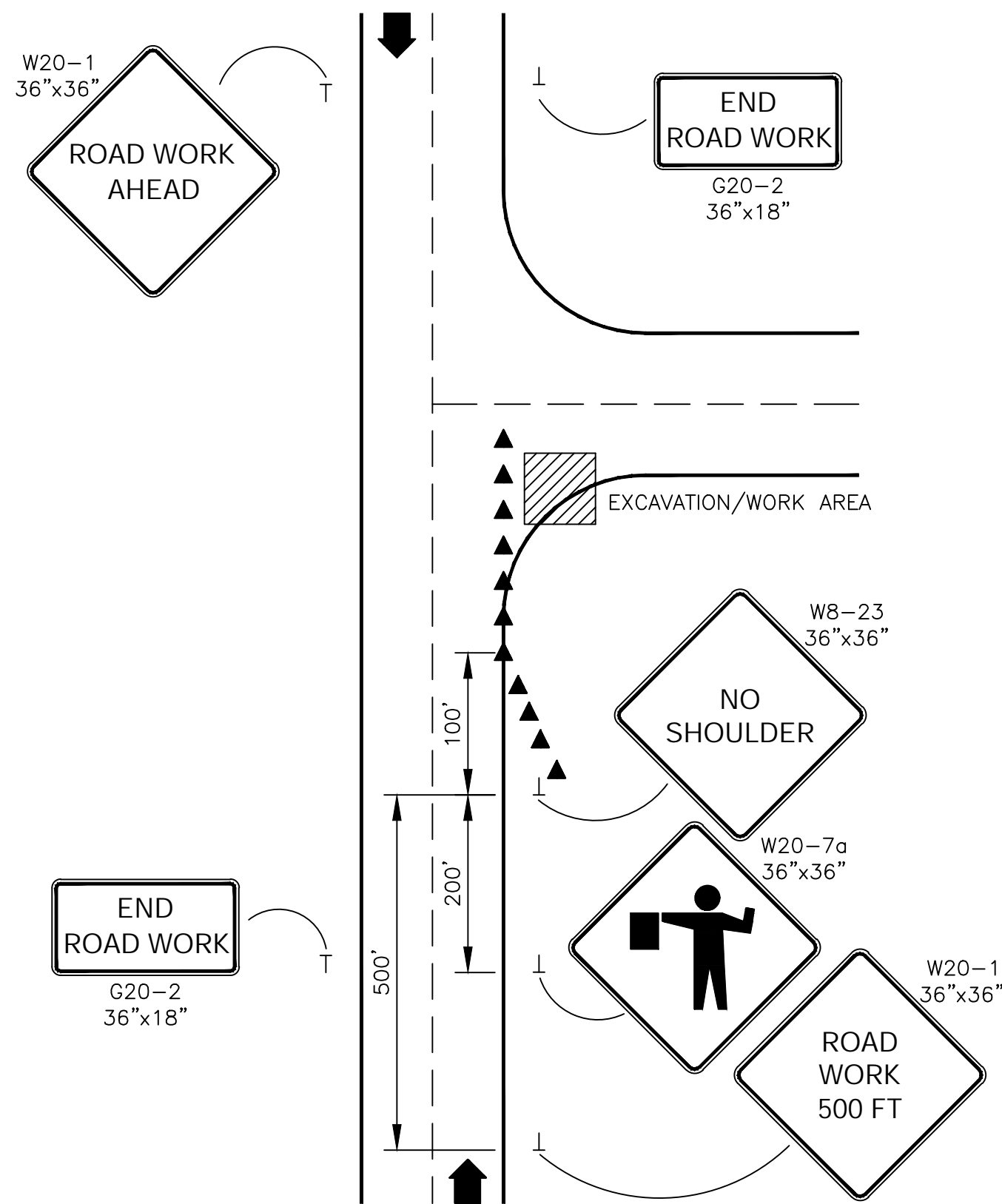
PHASE F

S:\2022 PROJECTS\22-024 COLONNADE DR & GLEN IRIS DR MAIN SHEETS\SH1 9-12.dwg



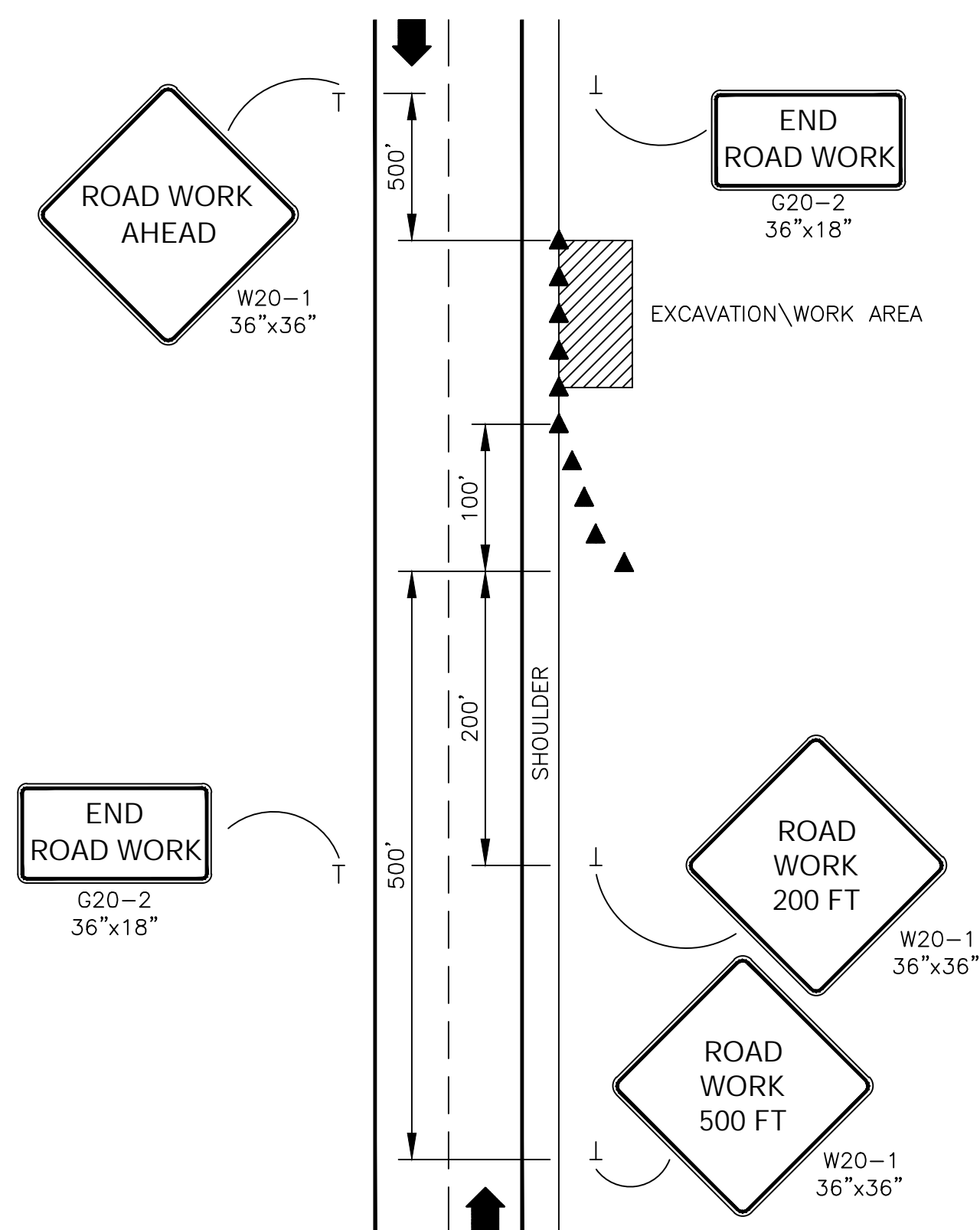
**35 MPH TRAFFIC CONTROL  
FOR WORK DONE ADJACENT TO PAVEMENT**

STND 03/22



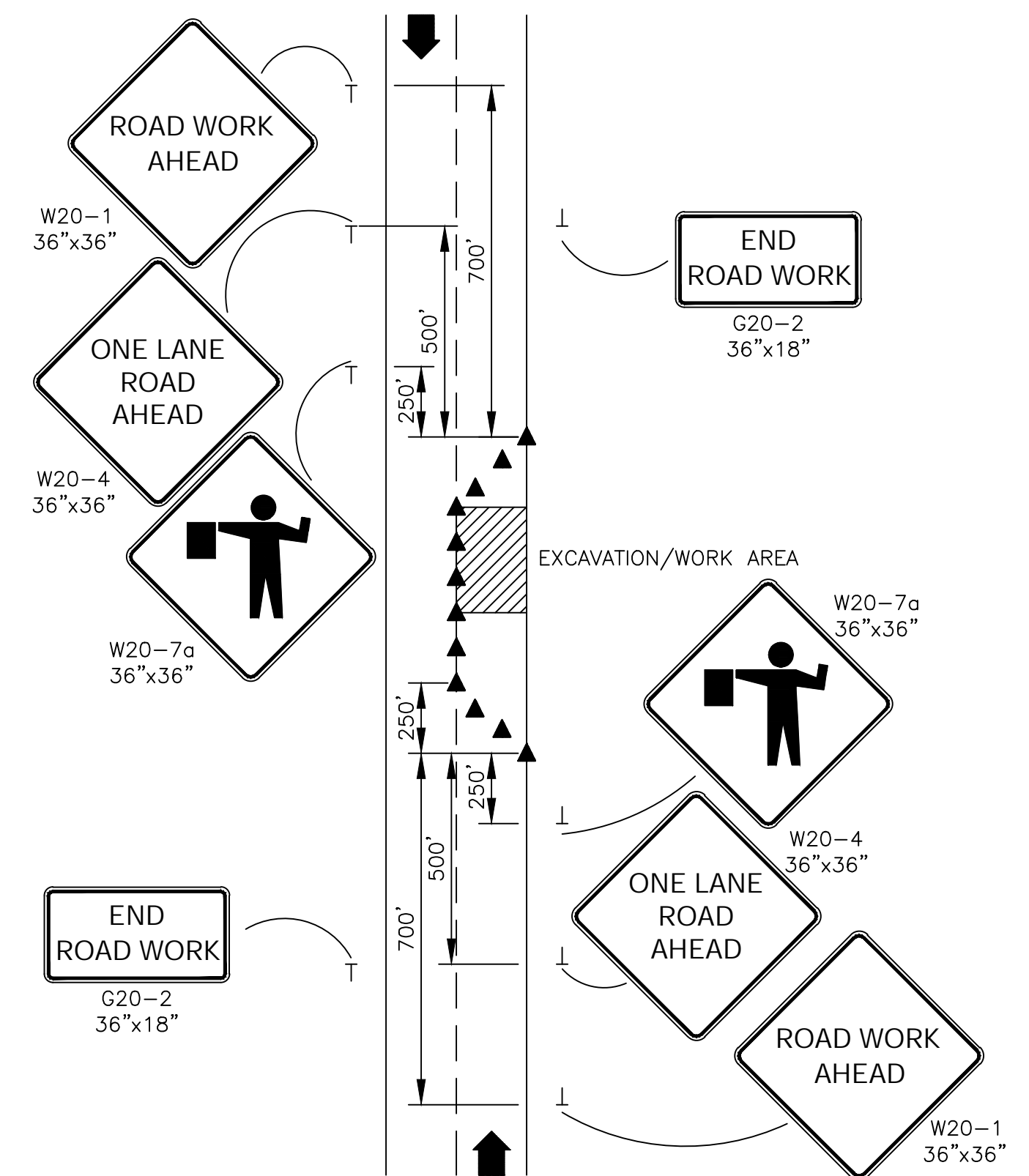
**35 MPH TRAFFIC CONTROL FOR WORK DONE  
ADJACENT TO SHOULDER AT SIDE STREET**

STND 03/22



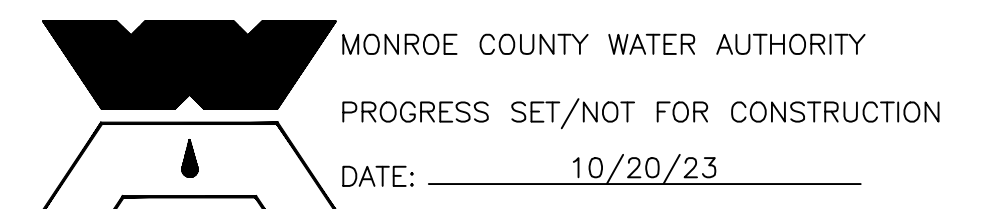
**35 MPH TRAFFIC CONTROL  
FOR WORK DONE ADJACENT TO SHOULDER**

STND 02/22



**35 MPH TRAFFIC CONTROL  
FOR WORK DONE IN DRIVING LANE**

STND 03/22



Approved _____
Checked _____
Designed _____
Drawn _____

It is a violation of Art. 145, Sect 7209 of the New York State Education Law for any person unless acting under the direction of a Licensed Professional Engineer to alter this drawing. If altered, such PE shall affix his seal, signature, the date, the notation "altered by", and a specific description of the alteration.

NO.	DATE	REVISIONS	INIT	CK'D

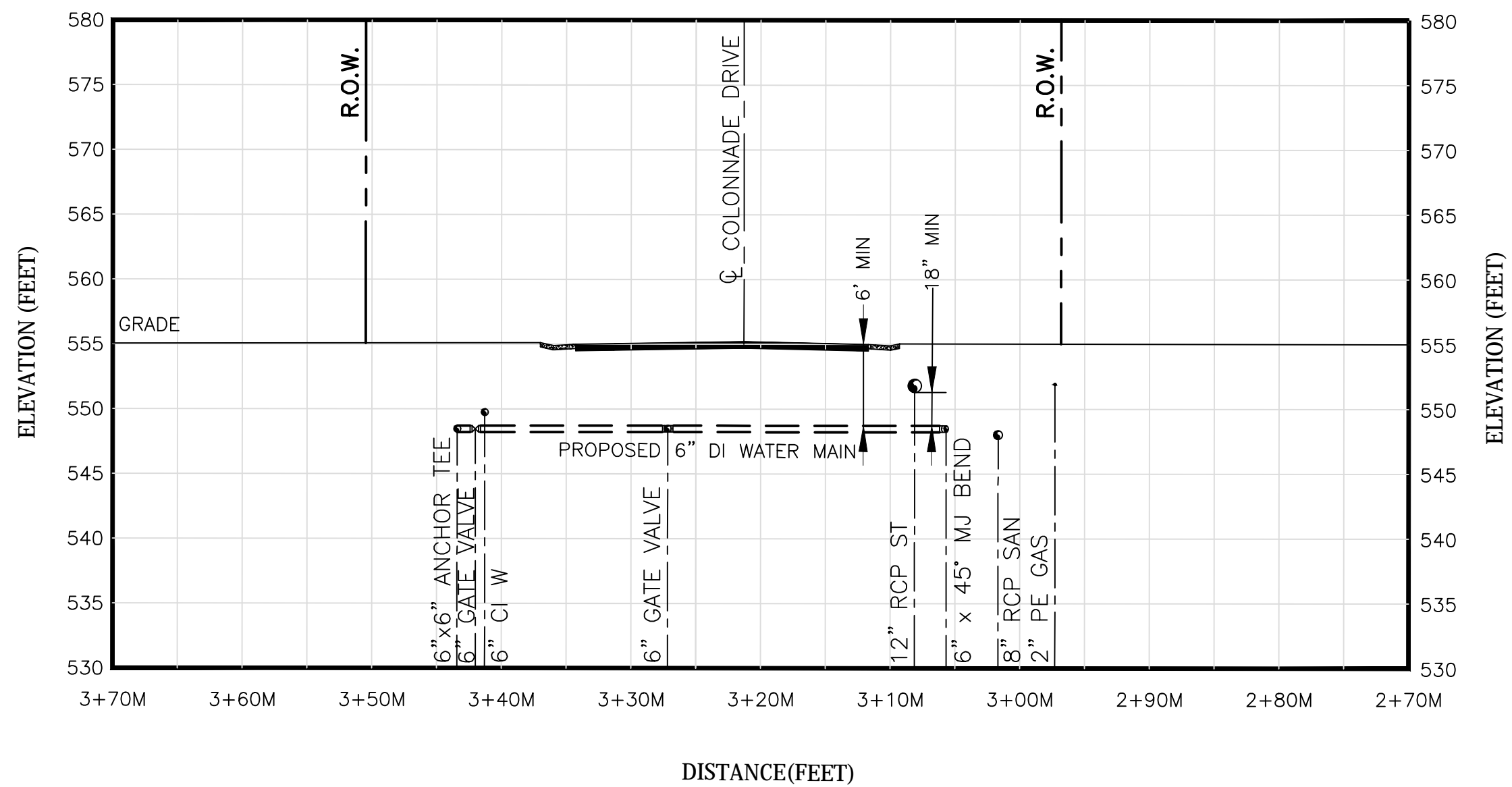


NOT TO SCALE

COLONNADE DRIVE AND GLENN IRIS DRIVE WATER MAIN REPLACEMENTS  
**M&PT DETAILS**  
TOWN OF HENRIETTA

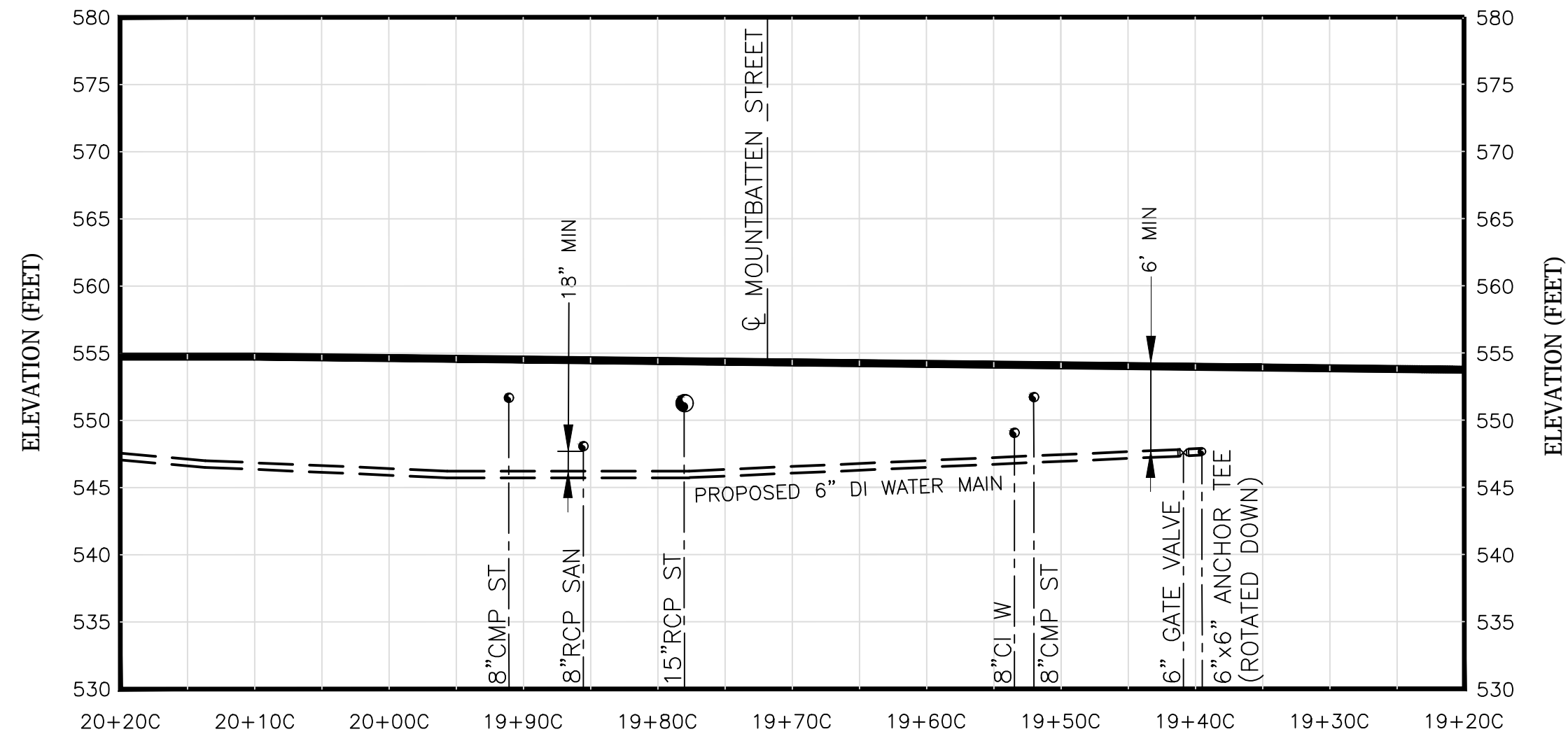
DWG. NO. 2022-024.12	PHASE <b>F</b>
AUTH. NO. 133-100	DATE: SEPTEMBER 2023

SHEET 12 OF 13



PROFILE OF COLONNADE DRIVE AND MOUNTBATTEN STREET CROSSING  
AT STATION 19+40C LOOKING EAST

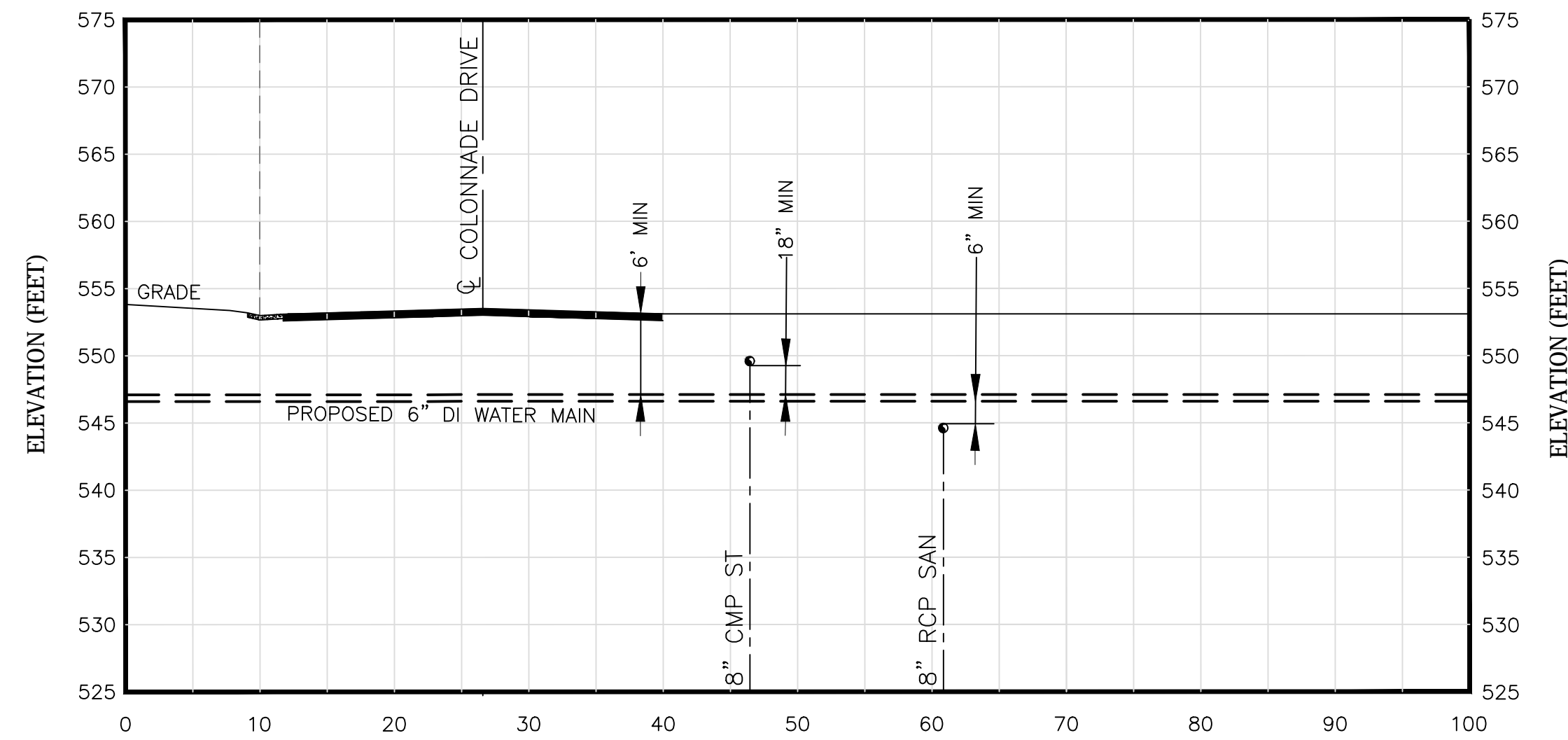
SCALE: 1" = 10'



PROFILE OF COLONNADE DRIVE AND MOUNTBATTEN STREET  
STORM AND SANITARY CROSSING LOOKING NORTH

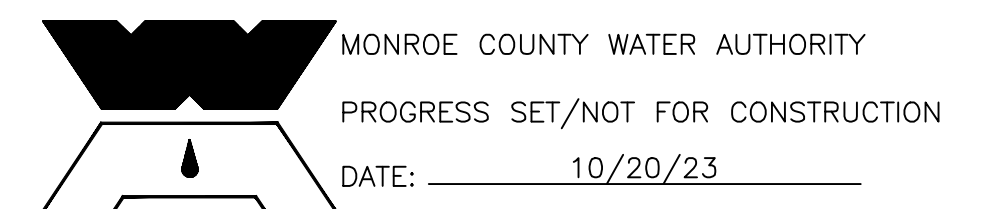
SCALE: 1" = 10'

NOTE: BEGIN DEFLECTING WATER MAIN AT  
STA. 19+90C TO RETURN TO  
REQUIRED 6' OF COVER



PROFILE OF COLONNADE DRIVE CULDESAC STORM AND SANITARY CROSSING  
AT STATION 23+00C LOOKING NORTH

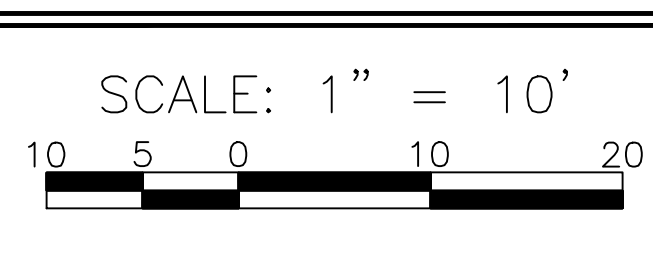
SCALE: 1" = 10'



Approved \_\_\_\_\_  
Checked \_\_\_\_\_  
Designed \_\_\_\_\_  
Drawn \_\_\_\_\_

It is a violation of Art. 145, Sect 7209 of the New York State Education Law for any person unless acting under the direction of a Licensed Professional Engineer to alter this drawing. If altered, such PE shall affix his seal, signature, the date, the notation "altered by," and a specific description of the alteration.

NO.	DATE	REVISIONS	INIT	CK'D



COLONNADE DRIVE AND GLENN IRIS DRIVE WATER MAIN REPLACEMENTS  
**PROFILES**  
TOWN OF HENRIETTA

DWG. NO. 2022-024.13  
AUTH. NO. 133-100  
DATE: SEPTEMBER 2023

PHASE  
**F**  
SHEET  
13  
OF  
13